

Hand lever valve (4/3 4/2 way)

4HV、4HVL Series

4HV
4HVL

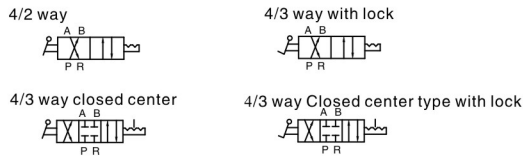


Specification

Model	4HV2□□ -06(L)	4HV2□□ -08(L)	4HV3□□ -08(L)	4HV3□□ -10(L)	4HV4□□ -15(L)	4HV4□□ -20(L)
Fluid	Air (to be filtered by 40μm filter element)					
Operating	Manual control direct acting type I direct acting type					
Port size①	1/8"	1/4"	1/4"	3/8"	1/2"	3/4"
Orifice size mm ² (Cv)	14.0mm ² (Cv=0.78)	16.0mm ² (Cv=0.89)	30.0mm ² (Cv=1.67)	33.0mm ² (Cv=1.83)	88.0mm ² (Cv=4.89)	95.0mm ² (Cv=5.27)
Valve type	4 port 2 position		4 port 3 position			
Lubrication	Not required					
Pressure range	0 ~ 1.0MPa(0~145Psi)					
Proof pressure	1.5 MPa(215Psi)					
Temperature °C	-20~70					
Operating angle	90°					

① G thread and PT thread are available;

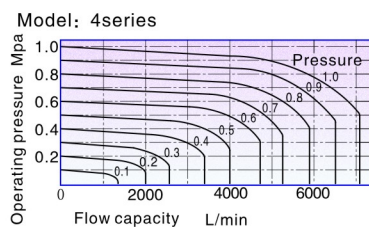
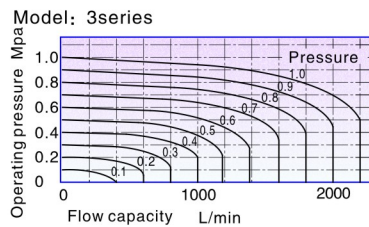
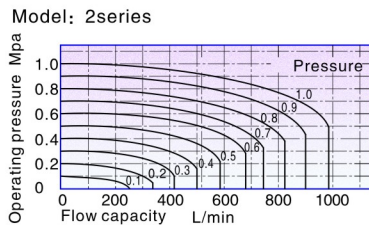
Symbol



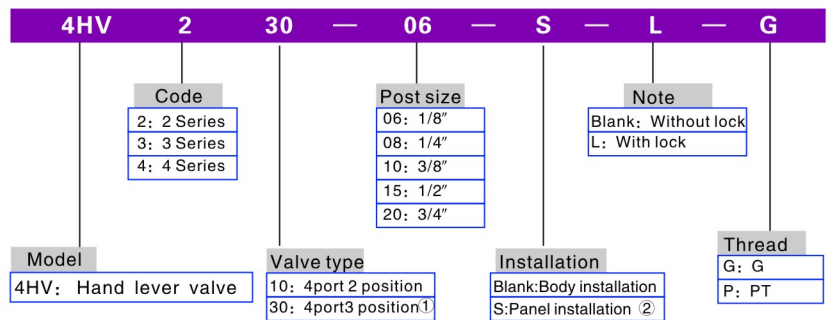
Product feature

1. 4/3–way hand– lever valve has three central functions for your choice;
2. The direction–change turns lightly with good hand feeling and exact orientation;
3. Large effective circulating area leads to little pressure loss;
4. Panel and body installation are optional. The panel installation can be attached with installing nut.

Flow chart



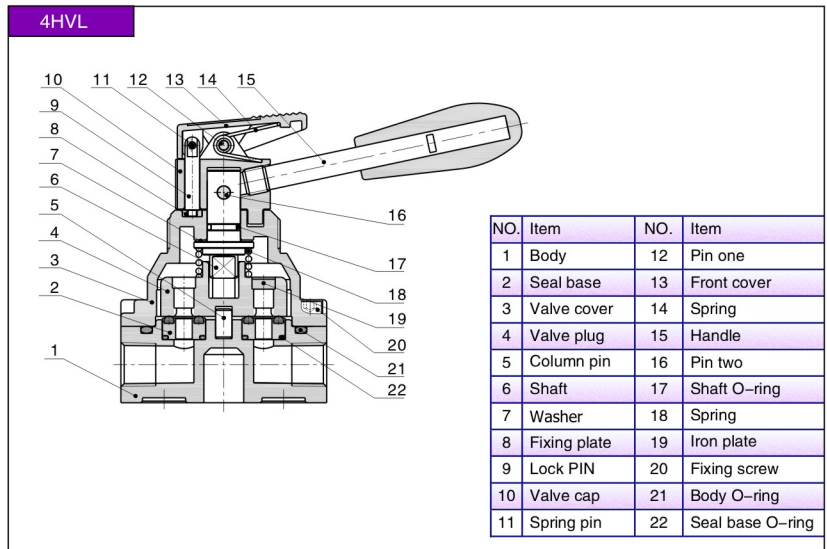
Ordering code



① 4 port 3 position only has closed center type;

② The panel installation can be attached with installing nut.

Inner structure



Hand lever valve (4/3 4/2 way)

4HV, 4HVL Series

■ Dimensions

4HV Series

Body installation

Panel installation

Type\Item	A	B	C	D	E	F	G	H	I	J	K	L	M	N	P
4HV2□□-06	73	45	1.5	1/8"	11.5	M34 × 1.5	92.5	5.5	62	49	40	3	49	62	120
4HV2□□-08	73	45	1.5	1/4"	11.5	M34 × 1.5	92.5	5.5	62	49	40	3	49	62	120
4HV3□□-08	88.5	56	1.5	1/4"	13.5	M40 × 1.5	104	6.5	74	62	51	3	62	74	140
4HV3□□-10	88.5	56	1.5	3/8"	13.5	M40 × 1.5	104	6.5	74	62	51	3	62	74	140
4HV4□□-15	110	72	2	1/2"	18	M52 × 1.5	128	6.5	102	89	64	3	81	94	160
4HV4□□-20	110	72	2	3/4"	18	M52 × 1.5	128	6.5	102	89	64	3	81	94	160

4HVL Series

Body installation

Panel installation

Type\Item	A	B	C	D	E	F	G	H	I	J	K	L	M	N	P
4HV2□□-06L	84	45	1.5	1/8"	11.5	M34 × 1.5	92.5	5.5	62	49	40	3	49	62	120
4HV2□□-08L	84	45	1.5	1/4"	11.5	M34 × 1.5	92.5	5.5	62	49	40	3	49	62	120
4HV3□□-08L	99	56	1.5	1/4"	13.5	M40 × 1.5	104	6.5	74	62	51	3	62	74	140
4HV3□□-10L	99	56	1.5	3/8"	13.5	M40 × 1.5	104	6.5	74	62	51	3	62	74	140
4HV4□□-15L	121	72	2	1/2"	18	M52 × 1.5	128	6.5	102	89	64	3	81	94	160
4HV4□□-20L	121	72	2	3/4"	18	M52 × 1.5	128	6.5	102	89	64	3	81	94	160



4HV
4HVL