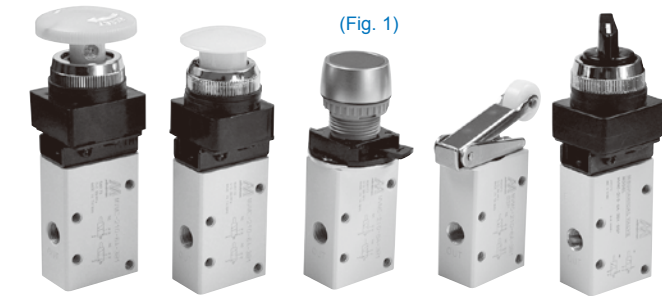


# MVMC-210 series

MECHANICAL VALVE



(Fig. 1)

## Specification

| Model                    | MVMC-210               |       |
|--------------------------|------------------------|-------|
| Bore No.                 | 6A                     | 8A    |
| Port size                | Rc1/8                  | Rc1/4 |
| No. of port              | 3                      |       |
| No. of position          | 2                      |       |
| Medium                   | Air                    |       |
| Operating pressure range | 0~1 MPa                |       |
| Proof pressure           | 1 MPa                  |       |
| Effective orifice        | 19 mm <sup>2</sup>     |       |
| Ambient temperature      | -5~+60°C (No freezing) |       |
| Weight                   | 155 g                  |       |

Actuator-holder

(Fig. 2)



- Type  $\phi 22$  only show body and actuator-holder in (Fig. 2).
- Type  $\phi 25$ ,  $\phi 30$  fix bracket in (Fig. 1).
- Type  $\phi 22$  actuator set or released by one-action.
- Type  $\phi 25$ ,  $\phi 30$  Actuator set or released by screwdriver.

## Order example

MVMC - 210 - 6A - 3EB - 25R - G

MODEL

BODY WIDTH

3: 3way (3 port)

BUTTON SIZE

22:  $\phi 22$   
25:  $\phi 25$   
30:  $\phi 30$

BUTTON COLOR

| Color    | Type               |
|----------|--------------------|
| —        | B1 type<br>R1 type |
| G: Green | EB type            |
| R: Red   |                    |
| B: Black | LB type<br>TB type |
| B: Black | PB type<br>PP type |
| G: Green |                    |
| R: Red   |                    |

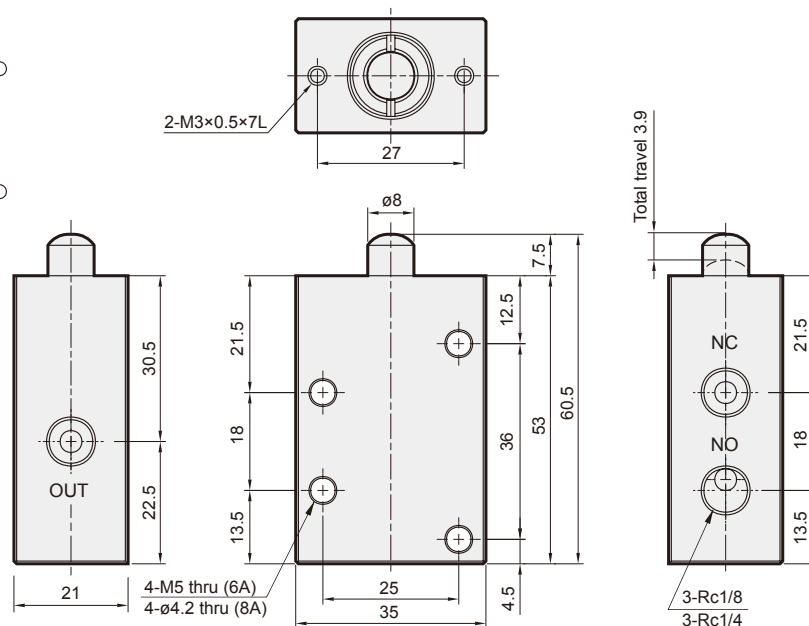
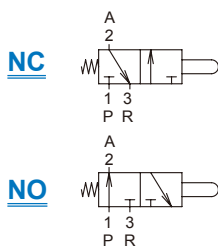
PORT THREAD  
Blank: Rc thread  
G: G thread  
NPT: NPT thread

BORE SIZE

6A: Rc1/8  
8A: Rc1/4

B1: Body (without button)  
R1: Roller lever  
EB: Latching palm button  
LB: Extended twist button  
TB: Twist button  
PB: Mushroom palm button  
PP: Push button

## MVMC-210-3B1

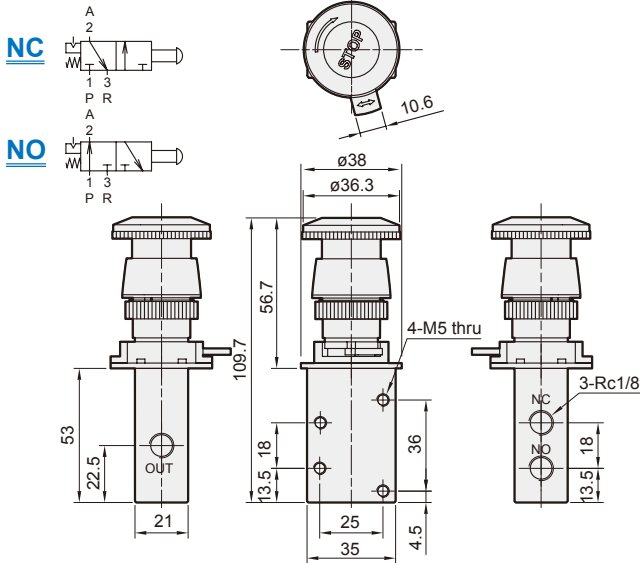


# MVMC-210 Dimensions

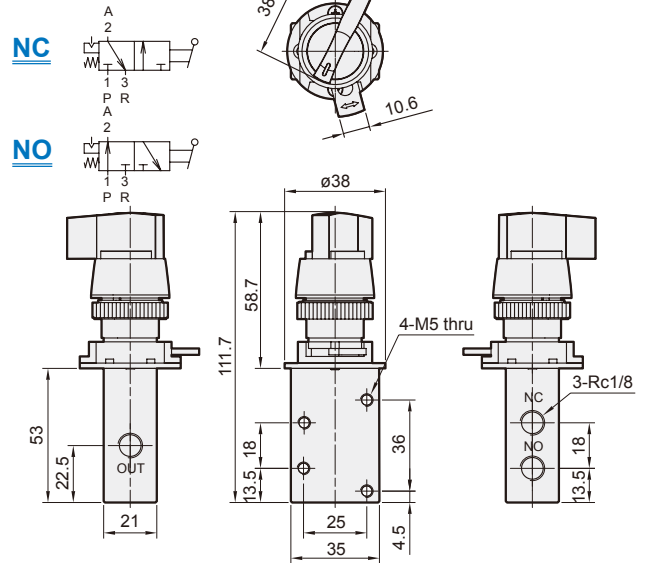
## MECHANICAL VALVE



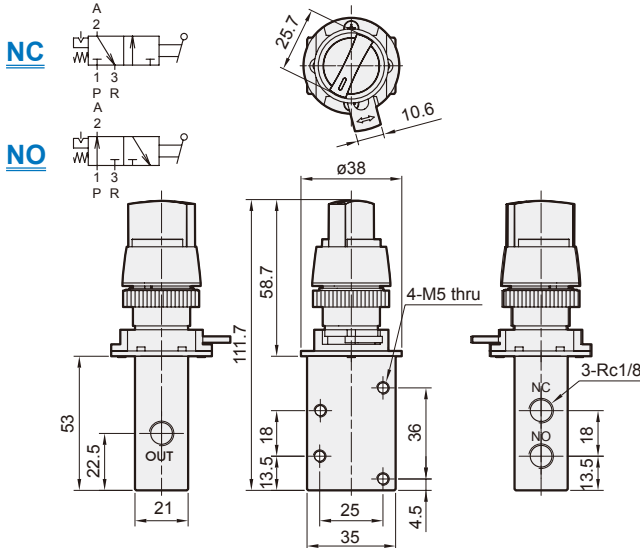
### 3EB-22



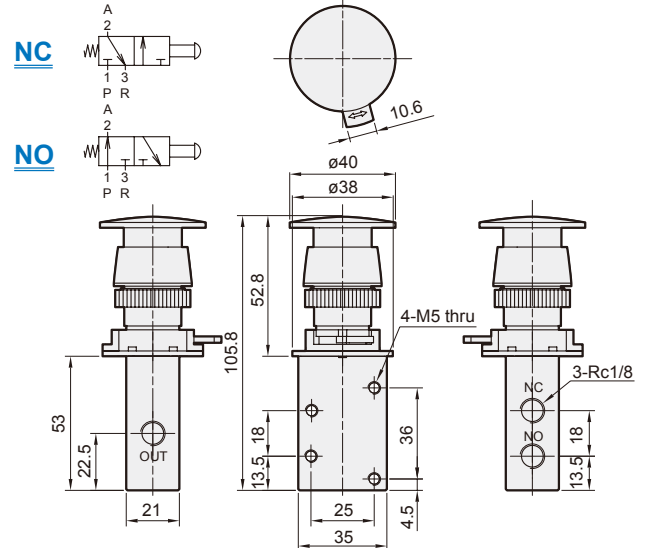
### 3LB-22



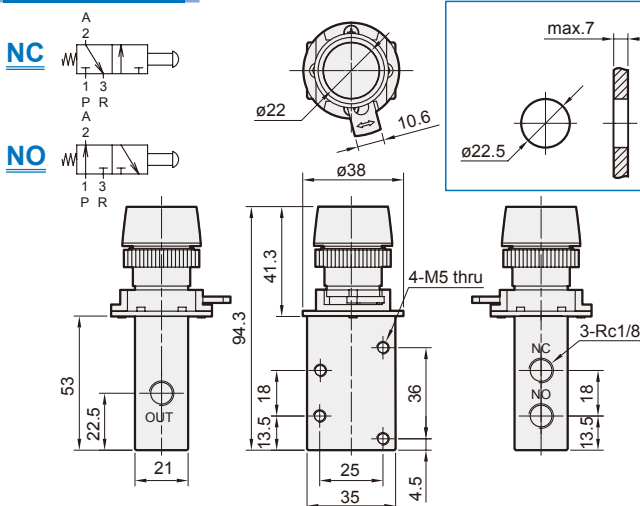
### 3TB-22



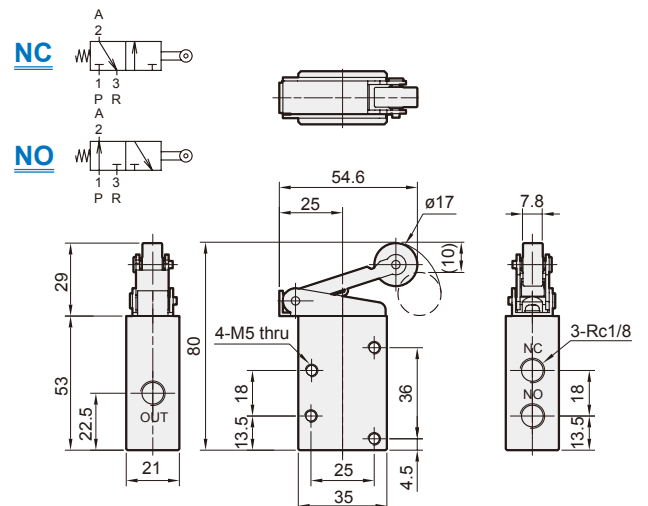
### 3PB-22



### 3PP-22



### 3R1

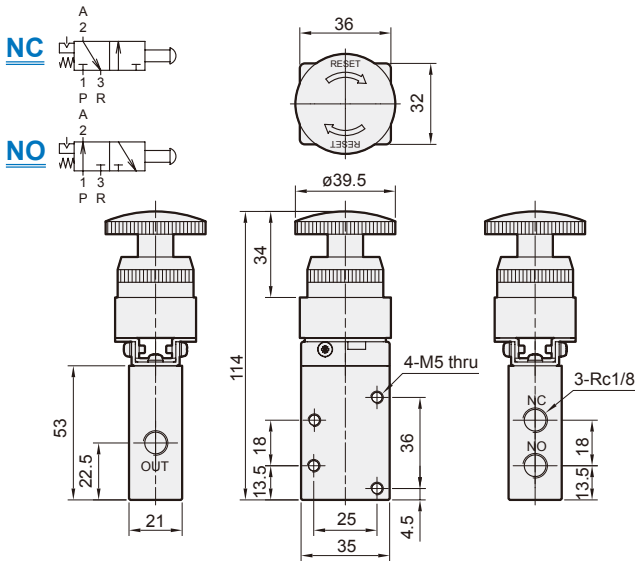


# MVMC-210 Dimensions

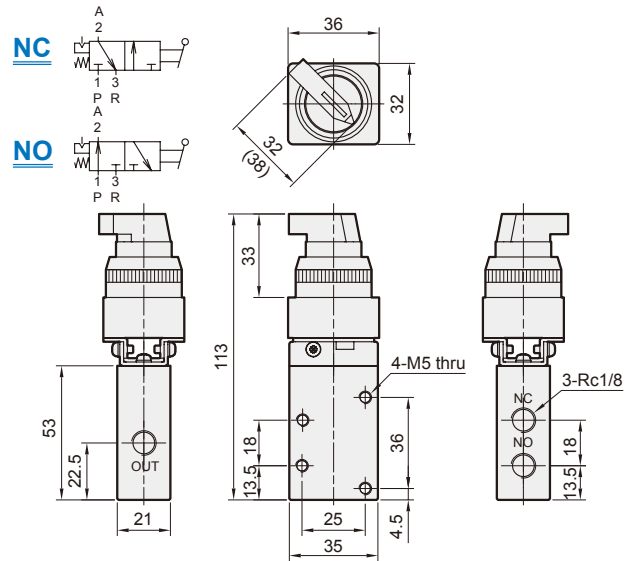
## MECHANICAL VALVE



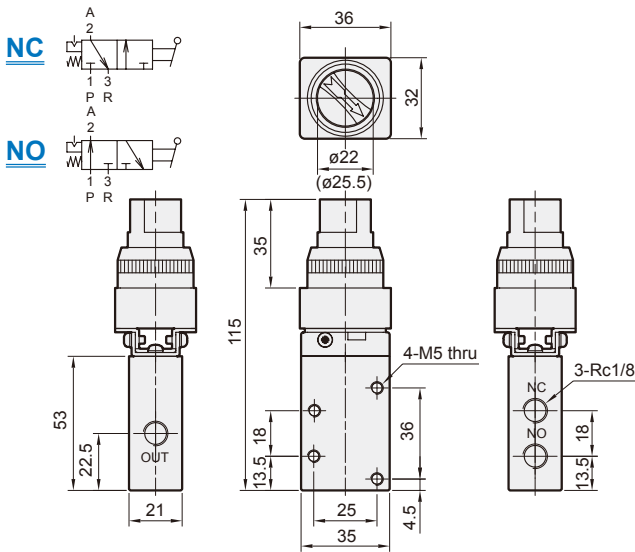
### 3EB-25/30



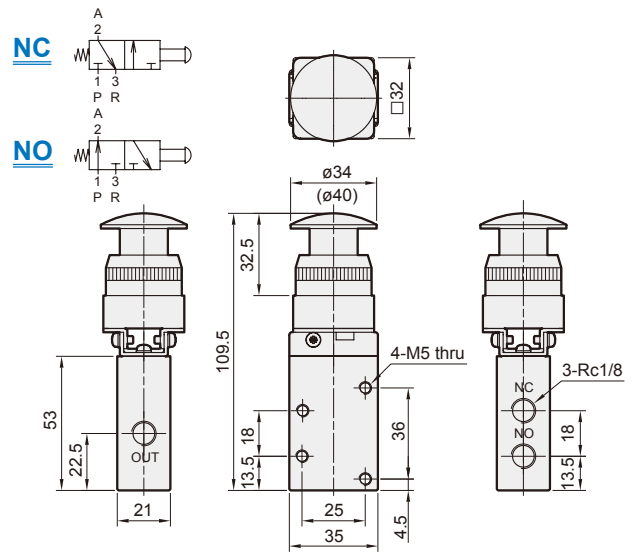
### 3LB-25/30



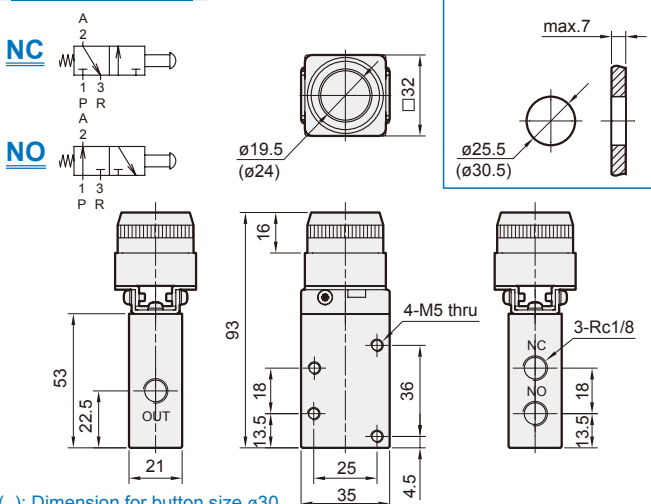
### 3TB-25/30



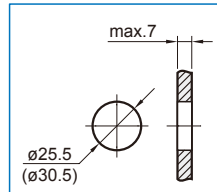
### 3PB-25/30



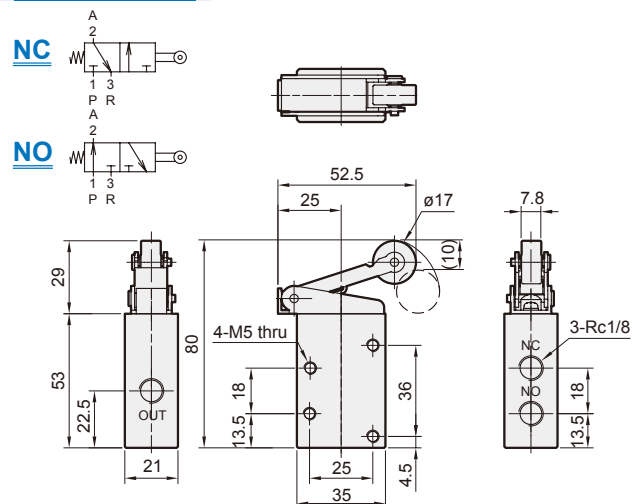
### 3PP-25/30



### Panel mounting hole



### 3R1



( ): Dimension for button size ø30.