

# Accessories—One-Touch Fittings

## One-touch fittings—threaded type



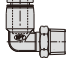
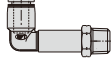
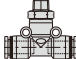
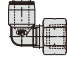
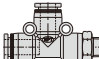
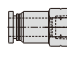
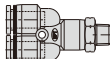




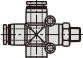
### Ordering code

#### Same diameter type fittings(NPT Thread)

**NPL 1/4 - 1/8**

① ② ③

#### ① Model

NPL: Male elbow 	NPLL: Extended male elbow 
NPEB: Male branch tee 	NPLF: Female elbow 
NPED: Male run tee 	NPCF: Female connector 
NPYB: Branch "Y" 	NPMF: Bulkhead connector 
NPH: Universal male elbow 	NPHF: Universal female elbow 
NPHW: Double universal male elbow 	NPZB: Threaded cross 

#### ② Port size

1/8:  $\Phi$  1/8"  
5/32:  $\Phi$  5/32"  
1/4:  $\Phi$  1/4"  
5/16:  $\Phi$  5/16"  
3/8:  $\Phi$  3/8"  
1/2:  $\Phi$  1/2"

#### ③ Thread connection

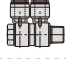
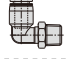

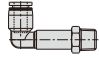

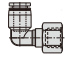
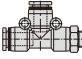
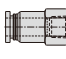
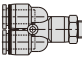
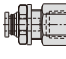

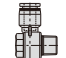
Thread connection	Adaptable port size
U10: #10-32UNF	$\Phi$ 1/8", $\Phi$ 5/32", $\Phi$ 1/4"
1/8: NPT1/8	$\Phi$ 5/32", $\Phi$ 1/4"
1/4: NPT1/4	$\Phi$ 5/16", $\Phi$ 3/8"
3/8: NPT3/8	$\Phi$ 1/2"
1/2: NPT1/2	

#### Same diameter type fittings(PT Thread)

**PL 6 01**

① ② ③

#### ① Model

PHW: Double universal male elbow 	PL: Male elbow 
PHF: Universal female elbow 	PLL: Extended male elbow 
PEB: Male branch tee 	PLF: Female elbow 
PED: Male run tee 	PCF: Female connector 
PYB: Branch "Y" 	PMF: Bulkhead connector 
PZB: Threaded cross 	PH: Universal male elbow 

#### ② Port size

4:  $\Phi$  4mm  
6:  $\Phi$  6mm  
8:  $\Phi$  8mm  
10:  $\Phi$  10mm  
12:  $\Phi$  12mm

#### ③ Thread connection

Thread connection	Adaptable port size
M5: M5X0.8	$\Phi$ 4, $\Phi$ 6
01: PT1/8	$\Phi$ 4, $\Phi$ 6
02: PT1/4	$\Phi$ 8, $\Phi$ 10
03: PT3/8	$\Phi$ 12
04: PT1/2	

## One-touch fittings—threaded type

### Ordering code

#### Different diameter type fittings(NPT Thread)

**NPKD 1/4 - 5/32 - 1/8**

①

②

③

④

#### ① Model

NPKD: Male reducer triple branch



#### ② Port size

1/4:  $\Phi 1/4"$   
5/16:  $\Phi 5/16"$   
3/8:  $\Phi 3/8"$

#### ③ Port size

5/32:  $\Phi 5/32"$   
1/4:  $\Phi 1/4"$   
5/16:  $\Phi 5/16"$

#### ④ Thread connection

1/8: NPT1/8  
1/4: NPT1/4  
3/8: NPT3/8



#### Different diameter type fittings(PT Thread)

**PKD 6 - 4 01**

①

②

③

④

#### ① Model

PKD: Male reducer triple branch



#### ② Port size

6:  $\Phi 6\text{mm}$   
8:  $\Phi 8\text{mm}$   
10:  $\Phi 10\text{mm}$

#### ③ Port size

4:  $\Phi 4\text{mm}$   
6:  $\Phi 6\text{mm}$   
8:  $\Phi 8\text{mm}$

#### ④ Thread connection

01: PT1/8  
02: PT1/4  
03: PT3/8



## Specification

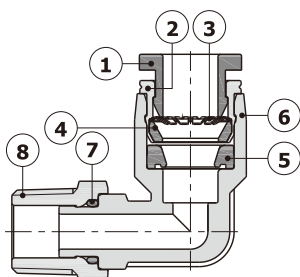
<b>Operating pressure range</b>	<b>0~145psi(0~1.0MPa)</b>
Negative pressure	10Torr(-750mmHg)
Proof pressure	215psi(1.5MPa)
Ambient and fluid temperature	-5~160°F (-20~70°C)
Applicable tubing	Soft nylon or polyurethane

## Product feature

1. Variable models can be widely used in every kind of pneumatic systems.
2. High circulation performance: bear the same flow with the volume of the tubing inside diameter.
3. Connect tubing easily and conveniently. The tubing connection portion is safe and durable.
4. The threaded portion is covered with sealant and the M5, #10-32UNF thread are attached with a sealing gasket to prevent air leakage over the connection thread portion.
5. The nickel plated body is anti-corrosion and anti-pollution, which allows a broader application.

## Inner structure

### NPL,PL Series



No.	Item
1	Release button
2	Guide
3	Spring gasket
4	Chuck
5	O-ring
6	Body
7	O-ring
8	Stud

# Accessories—One-Touch Fittings

## One-touch fittings—threaded type

Table for interface port and tube O.D.

Product series	Thread type	Port size					
		Φ1/8"	Φ5/32"	Φ1/4"	Φ5/16"	Φ3/8"	Φ1/2"
NPL	#10-32UNF	●	●	●			
	NPT1/8		●	●	●	●	
	NPT1/4			●	●	●	●
	NPT3/8			●	●	●	●
	NPT1/2					●	●
NPLL NPEB NPED NPYB	#10-32UNF		●	●			
	NPT1/8		●	●	●	●	
	NPT1/4			●	●	●	●
	NPT3/8			●	●	●	●
	NPT1/2					●	●
NPLF NPCF	#10-32UNF		●	●			
	NPT1/8		●	●	●	●	
	NPT1/4			●	●	●	●
	NPT3/8			●	●	●	●
	NPT1/2					●	●
NPH NPHF	#10-32UNF		●	●			
	NPT1/8		●	●	●		
	NPT1/4			●	●	●	
	NPT3/8			●	●	●	●
	NPT1/2					●	●
NPMF	NPT1/8		●	●	●	●	
	NPT1/4			●	●	●	●
	NPT3/8			●	●	●	●
	NPT1/2					●	●
	NPZB	NPT1/8			●	●	●
NPT1/4				●	●	●	
NPT3/8				●	●	●	●
NPT1/2						●	●
NPHW		NPT1/8		●	●	●	
	NPT1/4			●	●	●	
	NPT3/8			●	●	●	●
	NPT1/2					●	●

Product series	Thread type	Port size				
		Φ4	Φ6	Φ8	Φ10	Φ12
PL	M5	●	●			
	PT1/8	●	●	●	●	●
	PT1/4	●	●	●	●	●
	PT3/8		●	●	●	●
	PT1/2		●	●	●	●
PLL	M5	●	●			
	PT1/8	●	●	●	●	
	PT1/4	●	●	●	●	●
	PT3/8		●	●	●	●
	PT1/2				●	●
PEB PED PYB	M5	●	●			
	PT1/8	●	●	●	●	
	PT1/4	●	●	●	●	●
	PT3/8		●	●	●	●
	PT1/2			●	●	●
PH PHF	M5	●	●			
	PT1/8	●	●	●		
	PT1/4		●	●	●	
	PT3/8		●	●	●	●
	PT1/2			●	●	●
PHW	PT1/8	●	●	●		
	PT1/4		●	●	●	
	PT3/8		●	●	●	●
	PT1/2			●	●	●
PZB	PT1/8		●	●		
	PT1/4		●	●	●	
	PT3/8		●	●	●	●
	PT1/2			●	●	●
PLF	M5	●	●			
	PT1/8	●	●	●	●	
	PT1/4	●	●	●	●	●
	PT3/8		●	●	●	●
	PT1/2			●	●	●
PCF	M5	●	●			
	PT1/8	●	●	●	●	
	PT1/4	●	●	●	●	●
	PT3/8		●	●	●	●
	PT1/2		●	●	●	●
PMF	M5					
	PT1/8	●	●	●	●	
	PT1/4	●	●	●	●	●
	PT3/8		●	●	●	●
	PT1/2			●	●	●

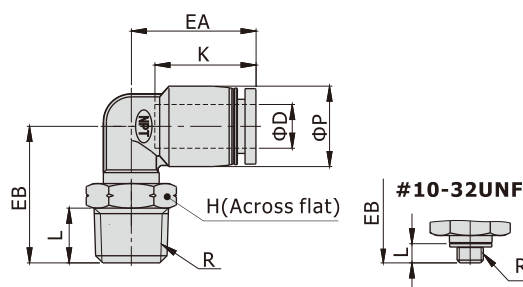
Product series	Thread type	Port size		
		Φ1/4"-Φ5/32"	Φ5/16"-Φ1/4"	Φ3/8"-Φ5/16"
NPKD	NPT1/8	●		
	NPT1/4		●	
	NPT3/8			●

Product series	Thread type	Port size		
		Φ6-Φ4	Φ8-Φ6	Φ10-Φ8
PKD	PT1/8	●		
	PT1/4		●	
	PT3/8			●

## One-touch fittings—threaded type

### Dimensions

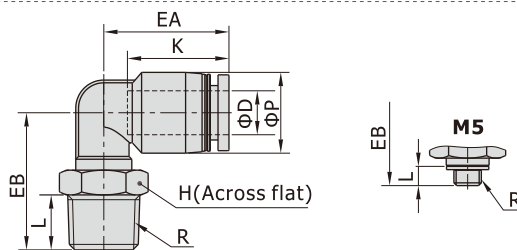
#### NPL Series



[Unit: inch]

Model\Item	ΦD	R	ΦP	L	K	EA	EB	H	Weight(g)
NPL1/8-U10	1/8	#10-32UNF	0.30	0.14	0.47	0.57	0.57	9/32	2.7
NPL5/32-U10	5/32	#10-32UNF	0.33	0.14	0.49	0.57	0.57	9/32	3.3
NPL5/32-1/8		NPT1/8	0.33	0.30	0.49	0.59	0.63	7/16	6.7
NPL1/4-U10	1/4	#10-32UNF	0.49	0.14	0.67	0.79	0.67	5/16	4.5
NPL1/4-1/8		NPT1/8	0.49	0.30	0.67	0.79	0.81	7/16	6.5
NPL1/4-1/4		NPT1/4	0.49	0.39	0.67	0.79	0.94	9/16	13.8
NPL1/4-3/8		NPT3/8	0.49	0.43	0.67	0.79	1.11	11/16	21.1
NPL5/16-1/8	5/16	NPT1/8	0.59	0.30	0.73	0.91	1.02	1/2	9.1
NPL5/16-1/4		NPT1/4	0.59	0.39	0.73	0.91	0.98	9/16	13.3
NPL5/16-3/8	3/8	NPT3/8	0.59	0.43	0.73	0.91	1.04	11/16	21.6
NPL3/8-1/8		NPT1/8	0.71	0.30	0.83	1.00	1.12	5/8	15.1
NPL3/8-1/4		NPT1/4	0.71	0.39	0.83	1.00	1.20	5/8	17.6
NPL3/8-3/8		NPT3/8	0.71	0.43	0.83	1.00	1.10	11/16	21.6
NPL3/8-1/2	1/2	NPT1/2	0.71	0.55	0.83	1.00	1.28	7/8	39.5
NPL1/2-1/4		NPT1/4	0.83	0.39	0.91	1.16	1.28	11/16	22.1
NPL1/2-3/8		NPT3/8	0.83	0.43	0.91	1.16	1.30	11/16	26.5
NPL1/2-1/2		NPT1/2	0.83	0.55	0.91	1.16	1.34	7/8	39.5

#### PL Series

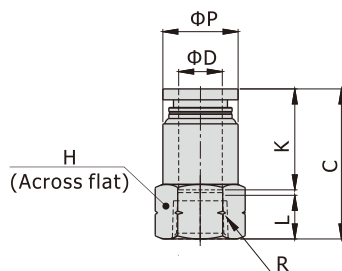


[Unit: mm]

Model\Item	ΦD	R	ΦP	L	K	EA	EB	H	Weight(g)
PL4M5	4	M5×0.8	9	3.5	14	17	15	8	3
PL401		PT1/8	9	7.5	14	17	18.5	10	4.5
PL402		PT1/4	9	10	14	17	22.0	14	12
PL6M5	6	M5×0.8	12.5	3.5	17	20	17.0	8	4.5
PL601		PT1/8	12.5	7.5	17	20	20.5	10	6
PL602		PT1/4	12.5	10	17	20	24.0	14	13.5
PL603		PT3/8	12.5	11	17	20	25.5	17	20.5
PL604	PT1/2	12.5	14	17	20	30.0	21	36	
PL801	8	PT1/8	15	7.5	18.5	23	20.5	10	7.5
PL802		PT1/4	15	10	18.5	23	25.0	14	13
PL803		PT3/8	15	11	18.5	23	26.5	17	21
PL804		PT1/2	15	14	18.5	23	31.0	21	36
PL1001	10	PT1/8	18	7.5	21	25.5	25.0	17	16.5
PL1002		PT1/4	18	10	21	25.5	27.0	17	19
PL1003		PT3/8	18	11	21	25.5	28.0	17	21
PL1004		PT1/2	18	14	21	25.5	32.5	21	37
PL1201	12	PT1/8	21	7.5	23	28.5	26.5	17	19
PL1202		PT1/4	21	10	23	28.5	28.5	17	21.5
PL1203		PT3/8	21	11	23	29.5	33	17	25.5
PL1204		PT1/2	21	14	23	29.5	34	21	37

## One-touch fittings—threaded type

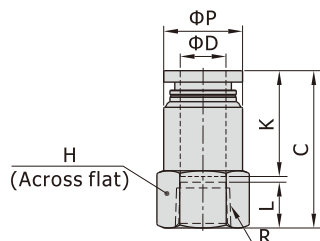
### NPCF Series



[Unit: inch]

Model\Item	ΦD	R	ΦP	L	C	K	H	Weight(g)
NPCF5/32-U10	5/32	#10-32UNF	0.35	0.20	0.77	0.49	3/8	2.5
NPCF5/32-1/8		NPT1/8	0.37	0.31	0.85	0.49	9/16	4.7
NPCF1/4-U10	1/4	#10-32UNF	0.47	0.20	0.85	0.65	182	4.2
NPCF1/4-1/8		NPT1/8	0.49	0.31	1.00	0.65	9/16	5.8
NPCF1/4-1/4		NPT1/4	0.49	0.43	1.12	0.65	11/16	8.0
NPCF1/4-3/8		NPT3/8	0.51	0.47	1.16	0.65	7/8	12.4
NPCF5/16-1/8	5/16	NPT1/8	0.55	0.31	1.08	0.73	9/16	6.0
NPCF5/16-1/4		NPT1/4	0.57	0.43	1.20	0.73	11/16	8.9
NPCF5/16-3/8		NPT3/8	0.57	0.47	1.24	0.73	7/8	12.9
NPCF3/8-1/8	3/8	NPT1/8	0.67	0.31	1.14	0.83	11/16	9.9
NPCF3/8-1/4		NPT1/4	0.67	0.43	1.30	0.83	11/16	10.4
NPCF3/8-3/8		NPT3/8	0.71	0.47	1.34	0.83	7/8	15.7
NPCF3/8-1/2		NPT1/2	0.71	0.53	1.40	0.83	1	17.8
NPCF1/2-1/4	1/2	NPT1/4	0.83	0.43	1.32	0.91	7/8	19.1
NPCF1/2-3/8		NPT3/8	0.83	0.47	1.40	0.91	7/8	18.3
NPCF1/2-1/2		NPT1/2	0.83	0.53	1.46	0.91	7/8	20.4

### PCF Series

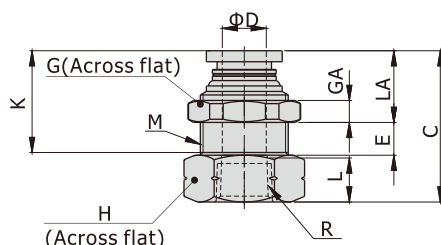


[Unit: mm]

Model\Item	ΦD	R	ΦP	L	C	K	H	Weight(g)
PCF4M5	4	M5×0.8	9	5	21	14	10	2.7
PCF401		PT1/8	9.5	8	23	14	14	4.5
PCF402		PT1/4	9.5	11	26	14	17	6.5
PCF6M5	6	M5×0.8	12	5	21.5	16.5	12	3.9
PCF601		PT1/8	12.5	8	25.5	16.5	14	5.6
PCF602		PT1/4	12.5	11	28.5	16.5	17	7.5
PCF603		PT3/8	13	12	29.5	16.5	21	10.7
PCF604	PT1/2	13	13.5	31.0	16.5	25	13.8	
PCF801	8	PT1/8	14	8	27.5	18.5	14	5.8
PCF802		PT1/4	14.5	11	30.5	18.5	17	8.4
PCF803		PT3/8	14.5	12	31.5	18.5	21	11.2
PCF804		PT1/2	14.5	13.5	33	18.5	25	14.4
PCF1001	10	PT1/8	17	8	29	21	17	9.5
PCF1002		PT1/4	17	11	33	21	17	9.9
PCF1003		PT3/8	18	12	34	21	21	14
PCF1004		PT1/2	18	13.5	35.5	21	25	17.1
PCF1202	12	PT1/4	21	11	33.5	23	21	17.5
PCF1203		PT3/8	21	12	35.5	23	21	16.6
PCF1204		PT1/2	21	13.5	37	23	25	19.7

## One-touch fittings—threaded type

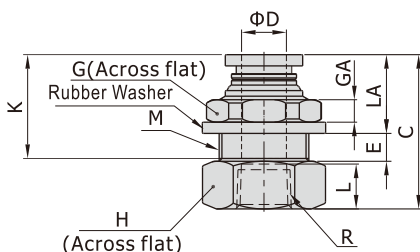
### NPMF Series



[Unit: inch]

Model\Item	ΦD	R	M	L	C	K	LA	E	GA	G	H	Weight(g)
NPMF5/32-1/8	5/32	NPT1/8	1/2-20 UNF	0.31	0.96	0.53	0.45	0.16	0.22	9/16	9/16	6.6
NPMF1/4-1/8	1/4	NPT1/8	9/16-18 UNF	0.31	1.00	0.65	0.49	0.20	0.22	11/16	11/16	9.4
NPMF1/4-1/4		NPT1/4	9/16-18 UNF	0.43	1.20	0.65	0.49	0.20	0.22	11/16	11/16	11.4
NPMF1/4-3/8		NPT3/8	9/16-18 UNF	0.47	1.24	0.65	0.49	0.20	0.22	11/16	7/8	14.9
NPMF5/16-1/8	5/16	NPT1/8	5/8-18 UNF	0.31	1.08	0.73	0.53	0.22	0.22	3/4	3/4	12.8
NPMF5/16-1/4		NPT1/4	5/8-18 UNF	0.43	1.26	0.73	0.53	0.22	0.22	3/4	3/4	15.7
NPMF5/16-3/8		NPT3/8	5/8-18 UNF	0.47	1.30	0.73	0.53	0.22	0.22	3/4	7/8	16.7
NPMF3/8-1/8	3/8	NPT1/8	7/8-14 UNF	0.31	1.18	0.83	0.57	0.30	0.28	1	1	22.6
NPMF3/8-1/4		NPT1/4	7/8-14 UNF	0.43	1.38	0.83	0.57	0.30	0.28	1	1	27.7
NPMF3/8-3/8		NPT3/8	7/8-14 UNF	0.47	1.42	0.83	0.57	0.30	0.28	1	1	26.4
NPMF3/8-1/2		NPT1/2	7/8-14 UNF	0.53	1.48	0.83	0.57	0.30	0.28	1	1	23.9
NPMF1/2-1/4	1/2	NPT1/4	7/8-14 UNF	0.43	1.36	0.91	0.61	0.31	0.28	1	1	28.0
NPMF1/2-3/8		NPT3/8	7/8-14 UNF	0.47	1.48	0.91	0.61	0.31	0.28	1	1	29.3
NPMF1/2-1/2		NPT1/2	7/8-14 UNF	0.53	1.54	0.91	0.61	0.31	0.28	1	1	26.9

### PMF Series

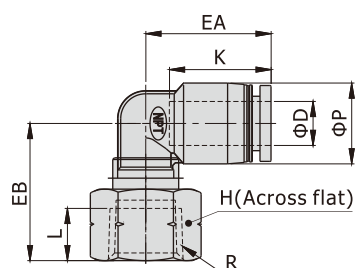


[Unit: mm]

Model\Item	ΦD	R	M	L	C	K	LA	E	GA	G	H	Weight(g)
PMF401	4	PT1/8	M12X1	8	25	14	12	4	4	14	14	6.4
PMF402		PT1/4	M12X1	11	29	14	12	4	4	14	17	9
PMF601	6	PT1/8	M14X1	8	25.5	16.5	12.5	5	4	17	17	9.1
PMF602		PT1/4	M14X1	11	30.5	16.5	12.5	5	4	17	17	10.9
PMF603		PT3/8	M14X1	12	31.5	16.5	12.5	5	4	17	21	13.2
PMF801	8	PT1/8	M16X1	8	27.5	18.5	13.5	5.5	4	19	19	12.8
PMF802		PT1/4	M16X1	11	32	18.5	13.5	5.5	4	19	19	15.7
PMF803		PT3/8	M16X1	12	33	18.5	13.5	5.5	4	19	21	15
PMF804		PT1/2	M16X1	13.5	34.5	18.5	13.5	5.5	4	19	25	18.1
PMF1001	10	PT1/8	M20X1	8	30	21	14.5	7.5	5	24	22	19.6
PMF1002		PT1/4	M20X1	11	35	21	14.5	7.5	5	24	22	22.8
PMF1003		PT3/8	M20X1	12	36	21	14.5	7.5	5	24	22	21.1
PMF1004		PT1/2	M20X1	13.5	37.5	21	14.5	7.5	5	24	25	23.2
PMF1202	12	PT1/4	M22X1	11	34.5	23	15.5	8	6	27	24	26.2
PMF1203		PT3/8	M22X1	12	37.5	23	15.5	8	6	27	24	27
PMF1204		PT1/2	M22X1	13.5	39	23	15.5	8	6	27	25	26.2

## One-touch fittings—threaded type

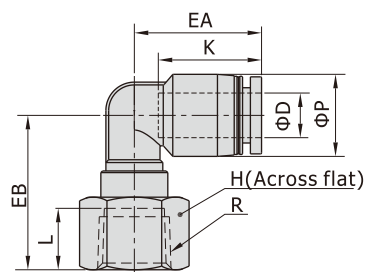
### NPLF Series



[Unit: inch]

Model\Item	ϕD	R	ϕP	L	K	EA	EB	H	Weight(g)
NPLF5/32-U10	5/32	#10-32UNF	0.33	0.20	0.49	0.59	0.63	3/8	2.7
NPLF5/32-1/8		NPT1/8	0.33	0.31	0.49	0.59	0.77	9/16	4.8
NPLF1/4-U10	1/4	#10-32UNF	0.49	0.20	0.67	0.79	0.73	3/8	6.8
NPLF1/4-1/8		NPT1/8	0.49	0.31	0.67	0.79	0.94	9/16	6.0
NPLF1/4-1/4		NPT1/4	0.49	0.43	0.67	0.79	1.06	11/16	8.5
NPLF1/4-3/8		NPT3/8	0.49	0.47	0.67	0.79	1.10	7/8	12.4
NPLF5/16-1/8	5/16	NPT1/8	0.59	0.31	0.73	0.91	1.00	9/16	6.8
NPLF5/16-1/4		NPT1/4	0.59	0.43	0.73	0.91	1.12	11/16	9.7
NPLF5/16-3/8		NPT3/8	0.59	0.47	0.73	0.91	1.16	7/8	13.6
NPLF3/8-1/8	3/8	NPT1/8	0.71	0.31	0.83	1.00	1.08	11/16	11.6
NPLF3/8-1/4		NPT1/4	0.71	0.43	0.83	1.00	1.18	11/16	11.7
NPLF3/8-3/8		NPT3/8	0.71	0.47	0.83	1.00	1.22	7/8	16.2
NPLF3/8-1/2		NPT1/2	0.71	0.53	0.83	1.00	1.28	1	18.1
NPLF1/2-1/4	1/2	NPT1/4	0.83	0.43	0.91	1.16	1.26	11/16	14.2
NPLF1/2-3/8		NPT3/8	0.83	0.47	0.91	1.16	1.30	7/8	19.1
NPLF1/2-1/2		NPT1/2	0.83	0.53	0.91	1.16	1.34	1	21.1

### PLF Series



[Unit: mm]

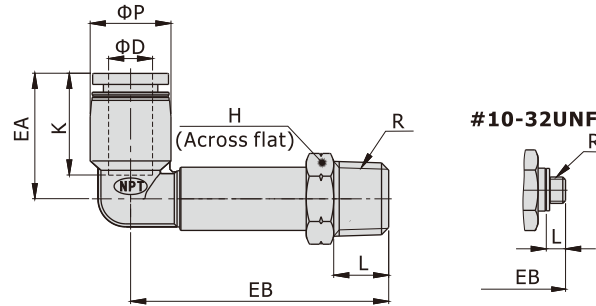
Model\Item	ϕD	R	ϕP	L	K	EA	EB	H	Weight(g)
PLF4M5	4	M5×0.8	9	5	14	17	16	10	2.9
PLF401		PT1/8	9	8	14	17	21	14	4.6
PLF402		PT1/4	9	11	14	17	24	17	6.8
PLF6M5	6	M5×0.8	12.5	5	17	20	18.5	10	7
PLF601		PT1/8	12.5	8	17	20	23	14	5.8
PLF602		PT1/4	12.5	11	17	20	26	17	8
PLF603		PT3/8	12.5	12	17	20	27	21	10.7
PLF801	8	PT1/8	15	8	18.5	23	20	14	6.6
PLF802		PT1/4	15	11	18.5	23	27.5	17	9.2
PLF803		PT3/8	15	12	18.5	23	28.5	21	11.9
PLF804		PT1/2	15	13.5	18.5	23	30	25	15.2
PLF1001	10	PT1/8	18	8	21	25.5	24	17	11.3
PLF1002		PT1/4	18	11	21	25.5	26.5	17	11.2
PLF1003		PT3/8	18	12	21	25.5	30	21	14.5
PLF1004		PT1/2	18	13.5	21	25.5	31.5	25	17.4
PLF1202	12	PT1/4	21	11	23	28.5	28.5	17	13.7
PLF1203		PT3/8	21	12	23	29.5	32	21	17.4
PLF1204		PT1/2	21	13.5	23	29.5	33	25	20.4



# Accessories—One-Touch Fittings

## One-touch fittings—threaded type

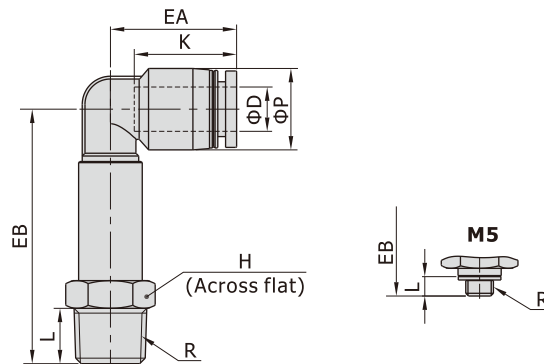
### NPLL Series



[Unit: inch]

Model\Item	ΦD	R	ΦP	L	K	EA	EB	H	Weight(g)
NPLL5/32-U10	5/32	#10-32UNF	0.33	0.14	0.49	0.59	0.98	9/32	8.9
NPLL5/32-1/8		NPT1/8	0.33	0.30	0.49	0.59	1.12	7/16	13.1
NPLL1/4-U10	1/4	#10-32UNF	0.49	0.14	0.67	0.79	1.36	5/16	9.9
NPLL1/4-1/8		NPT1/8	0.49	0.30	0.67	0.79	1.48	7/16	13.8
NPLL1/4-1/4		NPT1/4	0.49	0.39	0.67	0.79	1.59	9/16	18.3
NPLL1/4-3/8		NPT3/8	0.49	0.43	0.67	0.79	1.69	11/16	24.0
NPLL5/16-1/8	5/16	NPT1/8	0.59	0.30	0.73	0.91	1.71	1/2	17.2
NPLL5/16-1/4		NPT1/4	0.59	0.39	0.73	0.91	1.79	9/16	23.0
NPLL5/16-3/8		NPT3/8	0.59	0.43	0.73	0.91	1.89	11/16	28.3
NPLL3/8-1/8	3/8	NPT1/8	0.71	0.30	0.83	1.00	1.99	5/8	38.6
NPLL3/8-1/4		NPT1/4	0.71	0.39	0.83	1.00	2.11	5/8	41.7
NPLL3/8-3/8		NPT3/8	0.71	0.43	0.83	1.00	2.15	11/16	41.3
NPLL3/8-1/2		NPT1/2	0.71	0.55	0.83	1.00	2.32	7/8	49.9
NPLL1/2-1/4	1/2	NPT1/4	0.83	0.39	0.91	1.16	2.19	11/16	44.1
NPLL1/2-3/8		NPT3/8	0.83	0.43	0.91	1.16	2.36	11/16	56.2
NPLL1/2-1/2		NPT1/2	0.83	0.55	0.91	1.16	2.48	7/8	59.2

### PLL Series



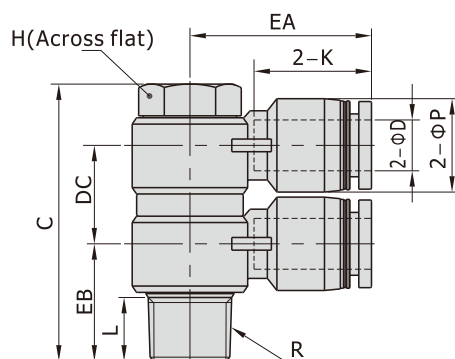
[Unit: mm]

Model\Item	ΦD	R	ΦP	L	K	EA	EB	H	Weight(g)
PLL4M5	4	M5×0.8	9	3.5	14	17	32.5	8	8.9
PLL401		PT1/8	9	7.5	14	17	35.5	10	12.3
PLL402		PT1/4	9	10	14	17	38.5	14	16.9
PLL6M5	6	M5×0.8	12.5	3.5	17	20	34.5	8	9.9
PLL601		PT1/8	12.5	7.5	17	20	37.5	10	13
PLL602		PT1/4	12.5	10	17	20	40.5	14	18
PLL603		PT3/8	12.5	11	17	20	43	17	23.4
PLL801	8	PT1/8	15	7.5	18.5	23	43.5	12	16.6
PLL802		PT1/4	15	10	18.5	23	45.5	14	22.7
PLL803		PT3/8	15	11	18.5	23	48	17	27.7
PLL1001	10	PT1/8	18	7.5	21	25.5	50.5	15	37.5
PLL1002		PT1/4	18	10	21	25.5	53.5	15	40.6
PLL1003		PT3/8	18	11	21	25.5	54.5	17	40.7
PLL1004		PT1/2	18	14	21	25.5	59	21	47.4
PLL1202	12	PT1/4	21	10	23	28.5	55.5	15	43
PLL1203		PT3/8	21	11	23	29.5	60	17	55.4
PLL1204		PT1/2	21	14	23	29.5	63	21	56.7



## One-touch fittings—threaded type

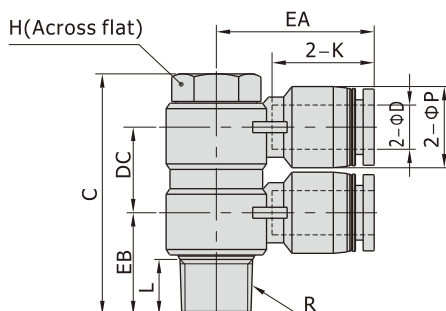
### NPHW Series



[Unit: inch]

Model\Item	ΦD	R	ΦP	L	C	K	EA	EB	DC	H	Weight(g)
NPHW5/32-1/8	5/32	NPT1/8	0.35	0.30	1.50	0.52	0.78	0.57	0.51	7/16	19.0
NPHW1/4-1/8	1/4	NPT1/8	0.49	0.30	1.50	0.65	0.91	0.59	0.51	7/16	21.0
NPHW1/4-1/4		NPT1/4	0.49	0.39	1.71	0.65	0.98	0.69	0.61	9/16	40.5
NPHW1/4-3/8		NPT3/8	0.49	0.43	1.97	0.65	1.06	0.79	0.65	3/4	69.2
NPHW5/16-1/8	5/16	NPT1/8	0.59	0.30	1.59	0.73	1.04	0.65	0.61	7/16	23.6
NPHW5/16-1/4		NPT1/4	0.59	0.39	1.71	0.73	1.12	0.73	0.61	9/16	41.1
NPHW5/16-3/8		NPT3/8	0.59	0.43	1.97	0.73	1.16	0.79	0.65	3/4	70.4
NPHW3/8-1/4	3/8	NPT1/4	0.71	0.39	1.83	0.83	1.22	0.83	0.73	9/16	47.3
NPHW3/8-3/8		NPT3/8	0.71	0.43	2.17	0.83	1.30	0.98	0.87	3/4	87.5
NPHW3/8-1/2		NPT1/2	0.71	0.55	2.40	0.83	1.40	0.91	0.87	15/16	137.3
NPHW1/2-3/8	1/2	NPT3/8	0.83	0.43	2.17	0.91	1.42	0.91	0.87	3/4	84.6
NPHW1/2-1/2		NPT1/2	0.83	0.55	2.40	0.91	1.50	1.04	0.87	15/16	147.1

### PHW Series



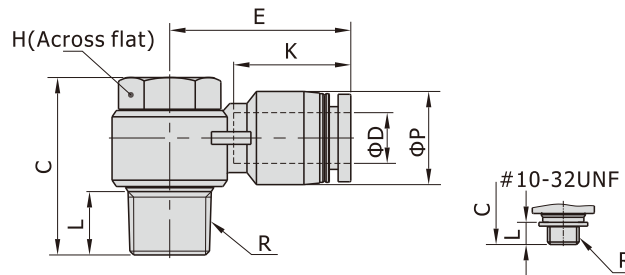
[Unit: mm]

Model\Item	ΦD	R	ΦP	L	C	K	EA	EB	DC	H	Weight(g)
PHW401	4	PT1/8	9	7.5	38	14	20.5	14.5	13	11	19
PHW601	6	PT1/8	12.5	7.5	38	16.5	23.0	15	13	11	21
PHW602		PT1/4	12.5	10	43.5	16.5	25.0	17.5	15.5	14	40.2
PHW603		PT3/8	12.5	11	50	16.5	27.0	20	16.5	19	69.2
PHW801	8	PT1/8	15	7.5	40.5	18.5	26.5	16.5	15.5	11	23.6
PHW802		PT1/4	15	10	43.5	18.5	28.5	18.5	15.5	14	40.8
PHW803		PT3/8	15	11	50	18.5	29.5	20	16.5	19	70.4
PHW804		PT1/2	15	14	61	18.5	32	24.5	22	24	134.8
PHW1002	10	PT1/4	18	10	46.5	21	31	20	18.5	14	47
PHW1003		PT3/8	18	11	55	21	33	21	22	19	87.5
PHW1004		PT1/2	18	14	61	21	35.5	25	22	24	137.7
PHW1203	12	PT3/8	21	11	55	23	36	23	22	19	86.4
PHW1204		PT1/2	21	14	61	23	38	26.5	22	24	147.5

# Accessories—One-Touch Fittings

## One-touch fittings—threaded type

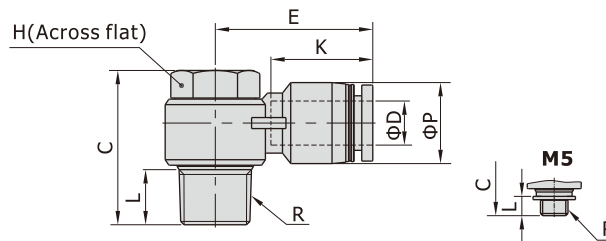
### NPH Series



[Unit: inch]

Model\Item	ΦD	R	ΦP	L	C	K	E	H	Weight(g)
NPH5/32-U10	5/32	#10-32UNF	0.35	0.14	0.67	0.52	0.72	5/16	5.8
NPH5/32-1/8		NPT1/8	0.35	0.30	0.98	0.52	0.72	7/16	12.8
NPH1/4-U10	1/4	#10-32UNF	0.49	0.14	0.67	0.65	0.93	5/16	6.8
NPH1/4-1/8		NPT1/8	0.49	0.30	0.98	0.65	0.91	7/16	14.0
NPH1/4-1/4		NPT1/4	0.49	0.39	1.10	0.65	0.98	9/16	25.7
NPH1/4-3/8		NPT3/8	0.49	0.43	1.30	0.65	1.06	3/4	50.2
NPH5/16-1/8	5/16	NPT1/8	0.59	0.30	0.98	0.73	1.04	7/16	14.7
NPH5/16-1/4		NPT1/4	0.59	0.39	1.10	0.73	1.12	9/16	26.7
NPH5/16-3/8		NPT3/8	0.59	0.43	1.30	0.73	1.16	3/4	49.4
NPH3/8-1/4	3/8	NPT1/4	0.71	0.39	1.10	0.83	1.22	9/16	28.0
NPH3/8-3/8		NPT3/8	0.71	0.43	1.30	0.83	1.30	3/4	51.1
NPH3/8-1/2		NPT1/2	0.71	0.55	1.54	0.83	1.40	15/16	88.1
NPH1/2-3/8	1/2	NPT3/8	0.83	0.43	1.30	0.91	1.42	3/4	53.0
NPH1/2-1/2		NPT1/2	0.83	0.55	1.54	0.91	1.50	15/16	92.4

### PH Series



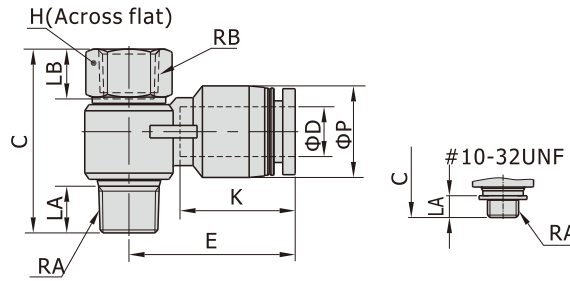
[Unit: mm]

Model\Item	ΦD	R	ΦP	L	C	K	E	H	Weight(g)
PH4M5	4	M5×0.8	9	3.5	17	14	19	8	5.8
PH401		PT1/8	9	7.5	25	14	20.5	11	12.8
PH6M5	6	M5×0.8	12.5	3.5	17	16.5	23.5	8	6.8
PH601		PT1/8	12.5	7.5	25	16.5	23	11	14
PH602		PT1/4	12.5	10	28	16.5	25	14	25.4
PH603		PT3/8	12.5	11	33	16.5	27	19	50.2
PH801	8	PT1/8	15	7.5	25	18.5	26.5	11	14.7
PH802		PT1/4	15	10	28	18.5	28.5	14	26.4
PH803		PT3/8	15	11	33	18.5	29.5	19	49.4
PH804		PT1/2	15	14	39	18.5	32	24	89
PH1002	10	PT1/4	18	10	28	21	31	14	27.7
PH1003		PT3/8	18	11	33	21	33	19	51.1
PH1004		PT1/2	18	14	39	21	35.5	24	88.5
PH1203	12	PT3/8	21	11	33	23	36	19	53
PH1204		PT1/2	21	14	39	23	38	24	92.8

# Accessories—One-Touch Fittings

## One-touch fittings—threaded type

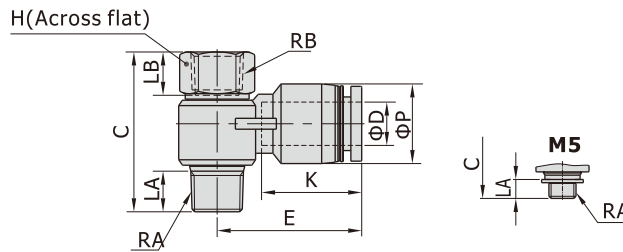
### NPHF Series



[Unit: inch]

Model\Item	ΦD	RA	RB	ΦP	LA	LB	C	K	E	H	Weight(g)
NPHF5/32-U10	5/32	#10-32UNF	#10-32UNF	0.35	0.14	0.24	0.79	0.52	0.72	5/16	6.2
NPHF5/32-1/8		NPT1/8	NPT1/8	0.35	0.30	0.31	1.16	0.52	0.78	1/2	13.9
NPHF1/4-U10	1/4	#10-32UNF	#10-32UNF	0.49	0.14	0.24	0.79	0.65	0.93	5/16	7.1
NPHF1/4-1/8		NPT1/8	NPT1/8	0.49	0.30	0.31	1.16	0.65	0.91	1/2	14.9
NPHF1/4-1/4		NPT1/4	NPT1/4	0.49	0.39	0.43	1.38	0.65	0.98	11/16	31.2
NPHF1/4-3/8		NPT3/8	NPT3/8	0.49	0.43	0.47	1.57	0.65	1.06	3/4	44.2
NPHF5/16-1/8	5/16	NPT1/8	NPT1/8	0.59	0.30	0.31	1.16	0.73	1.04	1/2	16.0
NPHF5/16-1/4		NPT1/4	NPT1/4	0.59	0.39	0.43	1.38	0.73	1.12	11/16	31.6
NPHF5/16-3/8		NPT3/8	NPT3/8	0.59	0.43	0.47	1.57	0.73	1.16	3/4	44.8
NPHF3/8-1/4	3/8	NPT1/4	NPT1/4	0.71	0.39	0.43	1.38	0.83	1.22	11/16	32.9
NPHF3/8-3/8		NPT3/8	NPT3/8	0.71	0.43	0.47	1.57	0.83	1.30	3/4	46.2
NPHF3/8-1/2		NPT1/2	NPT1/2	0.71	0.55	0.53	1.87	0.83	1.40	15/16	85.1
NPHF1/2-3/8	1/2	NPT3/8	NPT3/8	0.83	0.43	0.47	1.57	0.91	1.42	3/4	48.4
NPHF1/2-1/2		NPT1/2	NPT1/2	0.83	0.55	0.53	1.87	0.91	1.50	15/16	88.7

### PHF Series



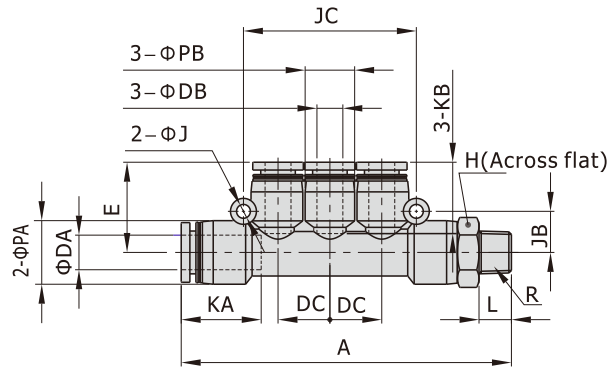
[Unit: mm]

Model\Item	ΦD	RA	RB	ΦP	LA	LB	C	K	E	H	Weight(g)
PHF4M5	4	M5×0.8	M5×0.8	9	3.5	6	20	14	19	8	6.2
PHF401		PT1/8	PT1/8	9	7.5	8	29.5	14	20.5	12	12.9
PHF6M5	6	M5×0.8	M5×0.8	12.5	3.5	6	20	16.5	23.5	8	7.1
PHF601		PT1/8	PT1/8	12.5	7.5	8	29.5	16.5	23	12	13.9
PHF602		PT1/4	PT1/4	12.5	10	11	35	16.5	25	17	30.3
PHF603	PT3/8	PT3/8	12.5	11	12	40	16.5	27	19	44.2	
PHF801	8	PT1/8	PT1/8	15	7.5	8	29.5	18.5	26.5	12	15
PHF802		PT1/4	PT1/4	15	10	11	35	18.5	28.5	17	30.7
PHF803		PT3/8	PT3/8	15	11	12	40	18.5	29.5	19	44.8
PHF804		PT1/2	PT1/2	15	14	13.5	47.5	18.5	32	24	84.7
PHF1002	10	PT1/4	PT1/4	18	10	11	35	21	31	17	32
PHF1003		PT3/8	PT3/8	18	11	12	40	21	33	19	46.2
PHF1004	PT1/2	PT1/2	18	14	13.5	47.5	21	35.5	24	86.1	
PHF1203	12	PT3/8	PT3/8	21	11	12	40	23	36	19	48.4
PHF1204		PT1/2	PT1/2	21	14	13.5	47.5	23	38	24	89.7

# Accessories—One-Touch Fittings

## One-touch fittings—threaded type

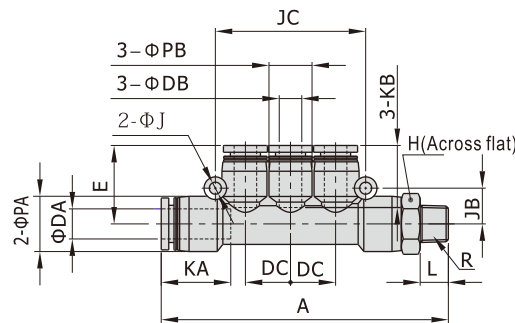
### NPKD Series



[Unit: inch]

Model\Item	ΦDA	ΦDB	R	L	A	ΦPA	ΦPB	KA	KB	ΦJ	JB	JC	DC	E	H	Weight(g)
NPKD1/4-5/32-1/8	1/4	5/32	NPT1/8	0.30	2.62	0.49	0.35	0.65	0.52	0.13	0.31	1.34	0.39	0.66	1/2	16.4
NPKD5/16-1/4-1/4	5/16	1/4	NPT1/4	0.39	3.11	0.59	0.49	0.73	0.65	0.13	0.37	1.57	0.47	0.83	9/16	26.8
NPKD3/8-5/16-3/8	3/8	5/16	NPT3/8	0.43	3.60	0.71	0.59	0.83	0.73	0.17	0.43	1.89	0.57	0.94	11/16	38.8

### PKD Series



[Unit: mm]

Model\Item	ΦDA	ΦDB	R	L	A	ΦPA	ΦPB	KA
PKD6-401	6	4	PT1/8	7.5	66.5	12.5	9	16.5
PKD8-602	8	6	PT1/4	10	79	15	12.5	18.5
PKD10-803	10	8	PT3/8	11	91.5	18	15	21

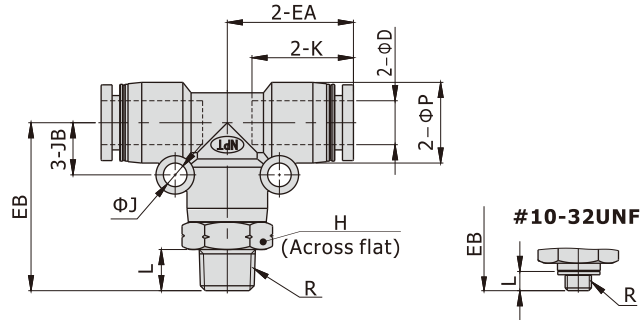
  

Model\Item	KB	ΦJ	JB	JC	DC	E	H	Weight(g)
PKD6-401	14	3.2	8	34	10	17.5	12	15.8
PKD8-602	16.5	3.2	9.5	40	12	21	14	26.5
PKD10-803	18.5	4.3	11	48	14.5	24	17	38.2

# Accessories—One-Touch Fittings

## One-touch fittings—threaded type

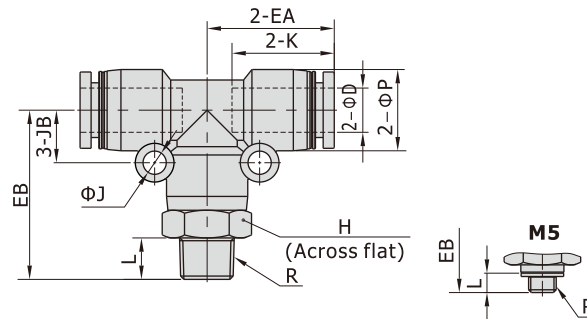
### NPEB Series



[Unit: inch]

Model\Item	ΦD	R	ΦP	L	K	EA	EB	ΦJ	JB	H	Weight(g)
NPEB5/32-U10	5/32	#10-32UNF	0.35	0.14	0.53	0.63	0.83	0.13	0.26	3/8	7.0
NPEB5/32-1/8		NPT1/8	0.35	0.30	0.53	0.63	0.98	0.13	0.26	7/16	9.5
NPEB1/4-U10	1/4	#10-32UNF	0.49	0.14	0.65	0.79	0.93	0.13	0.31	1/2	11.6
NPEB1/4-1/8		NPT1/8	0.49	0.30	0.65	0.79	1.08	0.13	0.31	1/2	14.1
NPEB1/4-1/4		NPT1/4	0.49	0.39	0.65	0.79	1.20	0.13	0.31	9/16	18.9
NPEB1/4-3/8		NPT3/8	0.49	0.43	0.65	0.79	1.26	0.13	0.31	11/16	25.9
NPEB5/16-1/8	5/16	NPT1/8	0.59	0.30	0.73	0.91	1.20	0.17	0.37	9/16	18.7
NPEB5/16-1/4		NPT1/4	0.59	0.39	0.73	0.91	1.30	0.17	0.37	9/16	21.6
NPEB5/16-3/8		NPT3/8	0.59	0.43	0.73	0.91	1.36	0.17	0.37	11/16	28.8
NPEB3/8-1/8	3/8	NPT1/8	0.71	0.30	0.83	1.04	1.34	0.17	0.43	11/16	27.3
NPEB3/8-1/4		NPT1/4	0.71	0.39	0.83	1.04	1.44	0.17	0.43	11/16	29.8
NPEB3/8-3/8		NPT3/8	0.71	0.43	0.83	1.04	1.48	0.17	0.43	11/16	32.5
NPEB3/8-1/2		NPT1/2	0.71	0.55	0.83	1.04	1.63	0.17	0.43	7/8	47.9
NPEB1/2-1/4	1/2	NPT1/4	0.83	0.39	0.91	1.18	1.61	0.17	0.51	7/8	52.1
NPEB1/2-3/8		NPT3/8	0.83	0.43	0.91	1.18	1.65	0.17	0.51	7/8	53.7
NPEB1/2-1/2		NPT1/2	0.83	0.55	0.91	1.18	1.77	0.17	0.51	7/8	59.8

### PEB Series



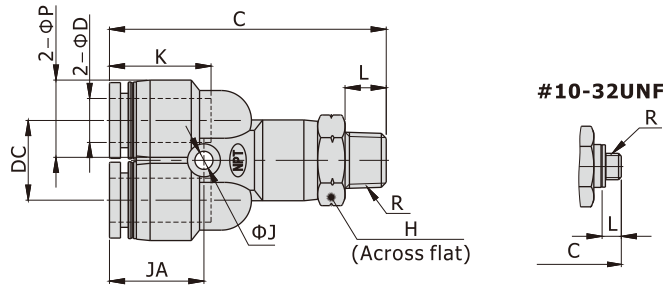
[Unit: mm]

Model\Item	ΦD	R	ΦP	L	K	EA	EB	ΦJ	JB	H	Weight(g)
PEB4M5	4	M5×0.8	9	3.5	14	17	21	3.2	6.5	9	6.8
PEB401		PT1/8	9	7.5	14	17	25	3.2	6.5	10	8.8
PEB402		PT1/4	9	10	14	17	28	3.2	6.5	14	15.5
PEB6M5	6	M5×0.8	12.5	3.5	16.5	20	23.5	3.2	8	12	11.2
PEB601		PT1/8	12.5	7.5	16.5	20	27.5	3.2	8	12	13.5
PEB602		PT1/4	12.5	10	16.5	20	30.5	3.2	8	14	18.6
PEB603		PT3/8	12.5	11	16.5	20	32	3.2	8	17	25.3
PEB801	8	PT1/8	15	7.5	18.5	23	30.5	4.3	9.5	14	18.4
PEB802		PT1/4	15	10	18.5	23	33	4.3	9.5	14	21.3
PEB803		PT3/8	15	11	18.5	23	34.5	4.3	9.5	17	28.2
PEB804		PT1/2	15	14	18.5	23	38.5	4.3	9.5	21	41
PEB1001	10	PT1/8	18	7.5	21	26.5	34	4.3	11	17	26.7
PEB1002		PT1/4	18	10	21	26.5	36.5	4.3	11	17	29.2
PEB1003		PT3/8	18	11	21	26.5	37.5	4.3	11	17	31.9
PEB1004		PT1/2	18	14	21	26.5	41.5	4.3	11	21	45.4
PEB1202	12	PT1/4	21	10	23	30	41	4.3	13	21	49.6
PEB1203		PT3/8	21	11	23	30	42	4.3	13	21	51.2
PEB1204		PT1/2	21	14	23	30	45	4.3	13	21	57.3

# Accessories—One-Touch Fittings

## One-touch fittings—threaded type

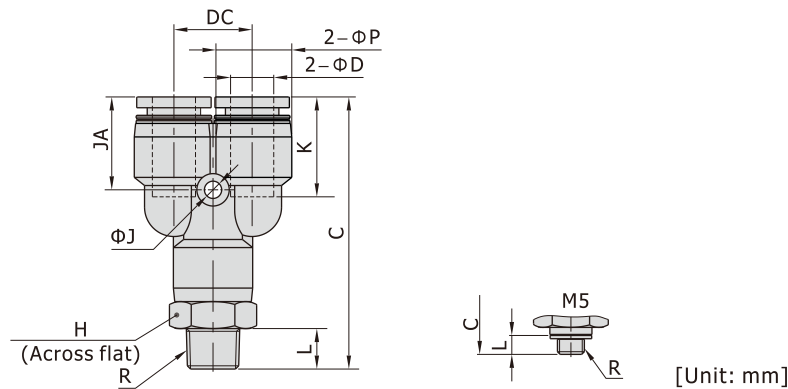
### NPYB Series



[Unit: inch]

Model\Item	ΦD	R	ΦP	L	C	K	ΦJ	JA	DC	H	Weight(g)
NPYB5/32-U10	5/32	#10-32UNF	0.35	0.14	1.36	0.53	0.13	0.47	0.39	3/8	6.9
NPYB5/32-1/8		NPT1/8	0.35	0.30	1.52	0.53	0.13	0.47	0.39	7/16	9.7
NPYB1/4-U10	1/4	#10-32UNF	0.49	0.14	1.59	0.65	0.13	0.61	0.47	1/2	11.5
NPYB1/4-1/8		NPT1/8	0.49	0.30	1.75	0.65	0.13	0.61	0.47	1/2	14.3
NPYB1/4-1/4		NPT1/4	0.49	0.39	1.75	0.65	0.13	0.61	0.47	9/16	18.5
NPYB1/4-3/8		NPT3/8	0.49	0.43	1.93	0.65	0.13	0.61	0.47	11/16	25.6
NPYB5/16-1/8	5/16	NPT1/8	0.59	0.30	1.97	0.73	0.13	0.67	0.57	9/16	20.1
NPYB5/16-1/4		NPT1/4	0.59	0.39	2.07	0.73	0.13	0.67	0.57	9/16	22.3
NPYB5/16-3/8		NPT3/8	0.59	0.43	2.13	0.73	0.13	0.67	0.57	11/16	28.3
NPYB3/8-1/8	3/8	NPT1/8	0.71	0.30	2.22	0.83	0.17	0.77	0.71	11/16	28.0
NPYB3/8-1/4		NPT1/4	0.71	0.39	2.32	0.83	0.17	0.77	0.71	11/16	30.1
NPYB3/8-3/8		NPT3/8	0.71	0.43	2.36	0.83	0.17	0.77	0.71	11/16	33.1
NPYB3/8-1/2		NPT1/2	0.71	0.55	2.52	0.83	0.17	0.77	0.71	7/8	47.9
NPYB1/2-1/4	1/2	NPT1/4	0.83	0.39	2.60	0.91	0.17	0.83	0.81	7/8	29.8
NPYB1/2-3/8		NPT3/8	0.83	0.43	2.64	0.91	0.17	0.83	0.81	7/8	54.3
NPYB1/2-1/2		NPT1/2	0.83	0.55	2.76	0.91	0.17	0.83	0.81	7/8	59.3

### PYB Series



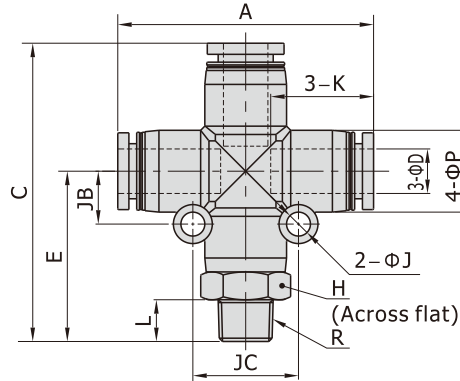
[Unit: mm]

Model\Item	ΦD	R	ΦP	L	C	K	ΦJ	JA	DC	H	Weight(g)
PYB4M5	4	M5×0.8	9	3.5	35.5	14	3.2	13	10	9	6.7
PYB401		PT1/8	9	7.5	39.5	14	3.2	13	10	10	9
PYB402		PT1/4	9	10	42.5	14	3.2	13	10	14	10.8
PYB6M5	6	M5×0.8	12.5	3.5	40.5	16.5	3.2	15.5	12	12	11.1
PYB601		PT1/8	12.5	7.5	44.5	16.5	3.2	15.5	12	12	13.7
PYB602		PT1/4	12.5	10	47.5	16.5	3.2	15.5	12	14	18.2
PYB603		PT3/8	12.5	11	49.0	16.5	3.2	15.5	12	17	25
PYB801	8	PT1/8	15	7.5	50	18.5	3.2	17	14.5	14	19.8
PYB802		PT1/4	15	10	52.5	18.5	3.2	17	14.5	14	22
PYB803		PT3/8	15	11	54	18.5	3.2	17	14.5	17	27.7
PYB804		PT1/2	15	14	58	18.5	3.2	17	14.5	21	40.8
PYB1001	10	PT1/8	18	7.5	56.5	21	4.3	19.5	18	17	27.4
PYB1002		PT1/4	18	10	59	21	4.3	19.5	18	17	29.5
PYB1003		PT3/8	18	11	60	21	4.3	19.5	18	17	32.5
PYB1004		PT1/2	18	14	64	21	4.3	19.5	18	21	45.4
PYB1202	12	PT1/4	21	10	66	23	4.3	21	20.5	21	27.3
PYB1203		PT3/8	21	11	67	23	4.3	21	20.5	21	51.8
PYB1204		PT1/2	21	14	70	23	4.3	21	20.5	21	56.8

# Accessories—One-Touch Fittings

## One-touch fittings—threaded type

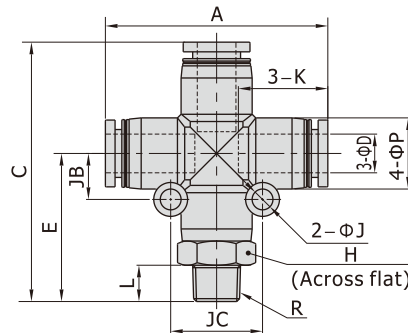
### NPZB Series



[Unit: inch]

Model\Item	ΦD	R	L	A	E	C	ΦP	K	ΦJ	JB	JC	H	Weight(g)
NPZB1/4-1/8	1/4	NPT1/8	0.30	1.56	1.08	1.87	0.49	0.65	0.13	0.31	0.63	1/2	15.8
NPZB1/4-1/4		NPT1/4	0.39		1.20	1.99						9/16	20.7
NPZB1/4-3/8		NPT3/8	0.43		1.26	2.05						11/16	27.6
NPZB5/16-1/8	5/16	NPT1/8	0.30	1.81	1.20	2.11	0.59	0.73	0.17	0.37	0.75	9/16	21.2
NPZB5/16-1/4		NPT1/4	0.39		1.30	2.20						9/16	24.1
NPZB5/16-3/8		NPT3/8	0.43		1.36	2.26						11/16	30.5
NPZB3/8-1/4	3/8	NPT1/4	0.39	2.07	1.44	2.48	0.71	0.83	0.17	0.43	0.87	11/16	34.1
NPZB3/8-3/8		NPT3/8	0.43		1.48	2.52						11/16	37.1
NPZB3/8-1/2		NPT1/2	0.55		1.63	2.68						7/8	51.7
NPZB1/2-3/8	1/2	NPT3/8	0.43	2.34	1.65	2.83	0.83	0.91	0.17	0.51	1.02	7/8	59.0
NPZB1/2-1/2		NPT1/2	0.55		1.77	2.95						7/8	67.9

### PZB Series



[Unit: mm]

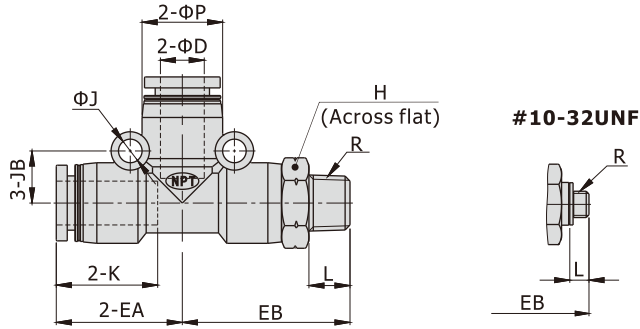
Model\Item	ΦD	R	L	A	E	C	ΦP	K	ΦJ	JB	JC	H	Weight(g)
PZB601	6	PT1/8	7.5	39.5	27.5	47.5	12.5	16.5	3.2	8	16	12	15.2
PZB602		PT1/4	10		30.5	50.5						14	20.4
PZB603		PT3/8	11		32	52						17	27
PZB801	8	PT1/8	7.5	46	30.5	53.5	15	18.5	4.3	9.5	19	14	20.9
PZB802		PT1/4	10		33	56						14	23.8
PZB803		PT3/8	11		34.5	57.5						17	29.9
PZB804		PT1/2	14		38.5	61.5						21	43.5
PZB1002	10	PT1/4	10	52.5	36.5	63	18	21	4.3	11	22	17	33.5
PZB1003		PT3/8	11		37.5	64						17	36.5
PZB1004		PT1/2	14		41.5	68						21	49.2
PZB1203	12	PT3/8	11	59.5	42	72	21	23	4.3	13	26	21	56.5
PZB1204		PT1/2	14		45	75						21	65.4



# Accessories—One-Touch Fittings

## One-touch fittings—threaded type

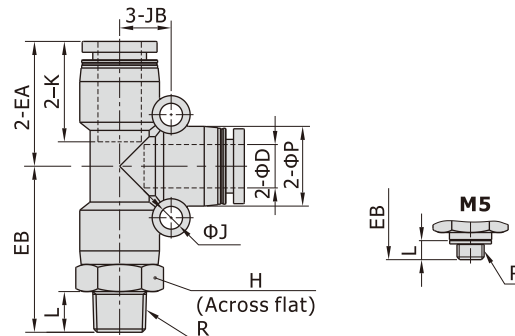
### NPED Series



[Unit: inch]

Model\Item	ΦD	R	ΦP	L	K	EA	EB	ΦJ	JB	H	Weight(g)
NPED5/32-U10	5/32	#10-32UNF	0.35	0.14	0.53	0.63	0.83	0.13	0.26	3/8	7.0
NPED5/32-1/8		NPT1/8	0.35	0.30	0.53	0.63	0.93	0.13	0.26	7/16	9.5
NPED1/4-U10	1/4	#10-32UNF	0.49	0.14	0.65	0.79	0.93	0.13	0.31	1/2	11.6
NPED1/4-1/8		NPT1/8	0.49	0.30	0.65	0.79	1.08	0.13	0.31	1/2	14.1
NPED1/4-1/4		NPT1/4	0.49	0.39	0.65	0.79	1.20	0.13	0.31	9/16	18.9
NPED1/4-3/8		NPT3/8	0.49	0.43	0.65	0.79	1.26	0.13	0.31	11/16	25.9
NPED5/16-1/8	5/16	NPT1/8	0.59	0.30	0.73	0.91	1.20	0.17	0.37	9/16	18.7
NPED5/16-1/4		NPT1/4	0.59	0.39	0.73	0.91	1.30	0.17	0.37	9/16	21.6
NPED5/16-3/8		NPT3/8	0.59	0.43	0.73	0.91	1.36	0.17	0.37	11/16	28.8
NPED3/8-1/8	3/8	NPT1/8	0.71	0.30	0.83	1.04	1.34	0.17	0.43	11/16	27.3
NPED3/8-1/4		NPT1/4	0.71	0.39	0.83	1.04	1.44	0.17	0.43	11/16	29.8
NPED3/8-3/8		NPT3/8	0.71	0.43	0.83	1.04	1.48	0.17	0.43	11/16	32.5
NPED3/8-1/2		NPT1/2	0.71	0.55	0.83	1.04	1.63	0.17	0.43	7/8	47.9
NPED1/2-1/4	1/2	NPT1/4	0.83	0.39	0.91	1.18	1.61	0.17	0.51	7/8	52.1
NPED1/2-3/8		NPT3/8	0.83	0.43	0.91	1.18	1.65	0.17	0.51	7/8	53.7
NPED1/2-1/2		NPT1/2	0.83	0.55	0.91	1.18	1.77	0.17	0.51	7/8	59.8

### PED Series



[Unit: mm]

Model\Item	ΦD	R	ΦP	L	K	EA	EB	ΦJ	JB	H	Weight(g)
PED4M5	4	M5×0.8	9	3.5	14	17	21	3.2	6.5	9	6.8
PED401		PT1/8	9	7.5	14	17	25	3.2	6.5	10	8.8
PED402		PT1/4	9	10	14	17	28	3.2	6.5	14	15.5
PED6M5	6	M5×0.8	12.5	3.5	16.5	20	23.5	3.2	8	12	11.2
PED601		PT1/8	12.5	7.5	16.5	20	27.5	3.2	8	12	13.5
PED602		PT1/4	12.5	10	16.5	20	30.5	3.2	8	14	18.6
PED603	PT3/8	12.5	11	16.5	20	32	3.2	8	17	25.3	
PED801	8	PT1/8	15	7.5	18.5	23	30.5	4.3	9.5	14	18.4
PED802		PT1/4	15	10	18.5	23	33	4.3	9.5	14	21.3
PED803		PT3/8	15	11	18.5	23	34.5	4.3	9.5	17	28.2
PED804		PT1/2	15	14	18.5	23	38.5	4.3	9.5	21	41
PED1001	10	PT1/8	18	7.5	21	26.5	34	4.3	11	17	26.7
PED1002		PT1/4	18	10	21	26.5	36.5	4.3	11	17	29.2
PED1003		PT3/8	18	11	21	26.5	37.5	4.3	11	17	31.9
PED1004		PT1/2	18	14	21	26.5	41.5	4.3	11	21	45.4
PED1202	12	PT1/4	21	10	23	30	41	4.3	13	21	49.6
PED1203		PT3/8	21	11	23	30	42	4.3	13	21	51.2
PED1204		PT1/2	21	14	23	30	45	4.3	13	21	57.3