

Accessories—One-Touch Fittings

One-touch fittings—tube-tube type



Ordering code

Same diameter type fittings

NPE 1/4

① ②

① Model	
NPM: Bulkhead union 	NPE: Union tee
NPLM: Bulkhead male elbow 	NPY: Union "Y"
NPP: Plug 	NPV: Union elbow
NPZ: Cross 	NPU: Straight union

② Port size
5/32: $\Phi 5/32"$
1/4: $\Phi 1/4"$
5/16: $\Phi 5/16"$
3/8: $\Phi 3/8"$
1/2: $\Phi 1/2"$

Different diameter type fittings

NPG 1/4 - 5/32

① ② ③

① Model	
NPG: Different diameter straight 	NPZG: Different diameter cross
NPEW: Different diameter tee 	NPYW: Different diameter union "Y"
NPGJ: Plug-in reducer 	NPEG: Different diameter tee
NPKG: Reducer triple branch union 	NPHK: Universal reducer triple branch union
NPHD: Universal reducer four branch union 	

② Port size
1/4: $\Phi 1/4"$
5/16: $\Phi 5/16"$
3/8: $\Phi 3/8"$
1/2: $\Phi 1/2"$

③ Port size
5/32: $\Phi 5/32"$
1/4: $\Phi 1/4"$
5/16: $\Phi 5/16"$
3/8: $\Phi 3/8"$

PE 6

① ②

① Model	
PM: Bulkhead union 	PE: Union tee
PLM: Bulkhead male elbow 	PY: Union "Y"
PP: Plug 	PV: Union elbow
PZ: Cross 	PU: Straight union

② Port size
4: $\Phi 4\text{mm}$
6: $\Phi 6\text{mm}$
8: $\Phi 8\text{mm}$
10: $\Phi 10\text{mm}$
12: $\Phi 12\text{mm}$

PEG 6 - 4

① ② ③

① Model	
PG: Different diameter straight 	PZG: Different diameter cross
PEW: Different diameter tee 	PYW: Different diameter union "Y"
PGJ: Plug-in reducer 	PEG: Different diameter tee
PKG: Reducer triple branch union 	PHK: Universal reducer triple branch union
PHD: Universal reducer four branch union 	

② Port size
4: $\Phi 4\text{mm}$
6: $\Phi 6\text{mm}$
8: $\Phi 8\text{mm}$
10: $\Phi 10\text{mm}$
12: $\Phi 12\text{mm}$

③ Port size
4: $\Phi 4\text{mm}$
6: $\Phi 6\text{mm}$
8: $\Phi 8\text{mm}$
10: $\Phi 10\text{mm}$

Accessories—One-Touch Fittings

One-touch fittings—tube-tube type

Table for interface port and tube O.D.

Product series	Port size				
	Φ5/32"	Φ1/4"	Φ5/16"	Φ3/8"	Φ1/2"
NPE, NPY, NPV, NPU NPM, NPLM, NPP, NPZ	•	•	•	•	•

Product series	Port size				
	Φ4	Φ6	Φ8	Φ10	Φ12
PE, PY, PV, PU PM, PLM, PP, PZ	•	•	•	•	•

Product series	Port size I	Port size II			
		Φ5/32"	Φ1/4"	Φ5/16"	Φ3/8"
NPG NPGJ	Φ1/4"	•			
	Φ5/16"		•		
	Φ3/8"		•	•	
	Φ1/2"			•	•
NPEG NPEW NPYW	Φ1/4"	•			
	Φ5/16"		•		
	Φ3/8"			•	
	Φ1/2"			•	•
NPZG	Φ1/4"	•			
	Φ5/16"		•		
	Φ3/8"			•	
	Φ1/2"				•
NPKG	Φ1/4"	•			
	Φ5/16"		•		
	Φ3/8"			•	
NPHK NPHD	Φ5/16"		•		
	Φ3/8"			•	

Product series	Port size I	Port size II			
		Φ4	Φ6	Φ8	Φ10
PG PGJ	Φ4				
	Φ6	•			
	Φ8	•	•		
	Φ10			•	•
	Φ12			•	•
PEG PEW PYW	Φ4				
	Φ6	•			
	Φ8		•		
	Φ10			•	•
PZG	Φ4				
	Φ6	•			
	Φ8		•		
	Φ10			•	•
PKG	Φ4				
	Φ6	•			
	Φ8		•		
	Φ10			•	•
PHK PHD	Φ4				
	Φ6				
	Φ8		•		
	Φ10			•	•
Φ12					

Specification

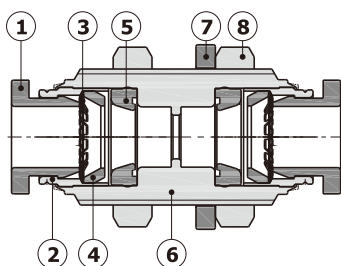
Operating pressure range	0~145psi(0~1.0MPa)
Negative pressure	10Torr(-750mmHg)
Proof pressure	215psi(1.5MPa)
Ambient and fluid temperature	-5~160°F(-20~70°C)
Applicable tubing	Soft nylon or polyurethane

Product feature

1. Variable models can be widely used in every kind of pneumatic systems.
2. High circulation performance: bear the same flow with the volume of the tubing inside diameter.
3. Connect tubing easily and conveniently.
The tubing connection portion is safe and durable.

Inner structure

NPM, PM Series



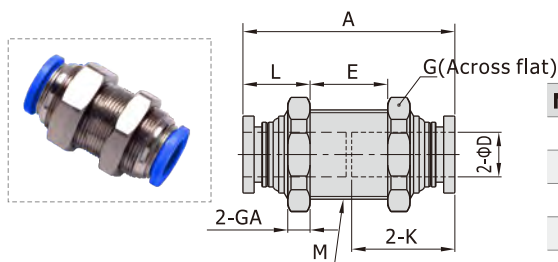
No.	Item
1	Release button
2	Guide
3	Spring gasket
4	Chuck
5	O-ring
6	Body
7	Rubber washer
8	Nut

Accessories—One-Touch Fittings

One-touch fittings—tube-tube type

Dimensions

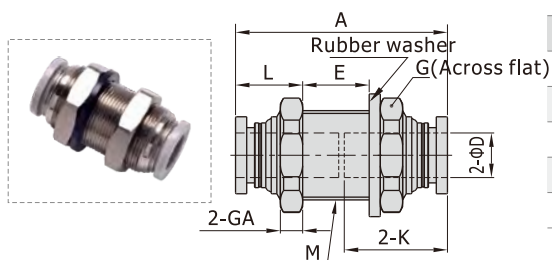
NPM Series



[Unit: inch]

Model\Item	ΦD	M	A	K	L	E	G	GA	Weight(g)
NPM5/32	5/32	1/2-20 UNF	1.08	0.53	0.37	0.28	9/16	0.22	6.2
NPM1/4	1/4	9/16-18 UNF	1.34	0.65	0.41	0.43	11/16	0.22	9.5
NPM5/16	5/16	5/8-18 UNF	1.50	0.73	0.49	0.43	3/4	0.22	15.7
NPM3/8	3/8	7/8-14 UNF	1.69	0.83	0.49	0.63	1	0.28	22.5
NPM1/2	1/2	7/8-14 UNF	1.83	0.91	0.53	0.69	1	0.28	29.5

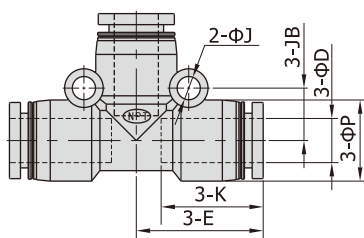
PM Series



[Unit: mm]

Model\Item	ΦD	M	A	K	L	E	G	GA	Weight(g)
PM4	4	M12X1	29	14	10	7	14	4	6.2
PM6	6	M14X1	34	16.5	10.5	11	17	4	9.5
PM8	8	M16X1	38	18.5	11.5	13	19	4	15.7
PM10	10	M20X1	43	21	12.5	16	24	5	22.5
PM12	12	M22X1	46.5	23	13.5	17.5	27	6	29.5

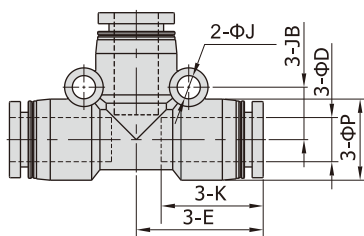
NPE Series



[Unit: inch]

Model\Item	ΦD	ΦP	K	E	ΦJ	JB	Weight(g)
NPE5/32	5/32	0.35	0.53	0.63	0.13	0.26	3.1
NPE1/4	1/4	0.49	0.65	0.79	0.13	0.31	6.1
NPE5/16	5/16	0.59	0.73	0.91	0.17	0.37	8.8
NPE3/8	3/8	0.71	0.83	1.04	0.17	0.43	13.8
NPE1/2	1/2	0.83	0.91	1.18	0.17	0.51	21.0

PE Series



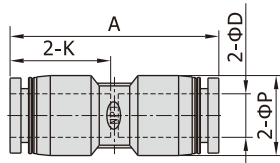
[Unit: mm]

Model\Item	ΦD	ΦP	K	E	ΦJ	JB	Weight(g)
PE4	4	9	14	17	3.2	6.5	3.1
PE6	6	12.5	16.5	20	3.2	8	6.1
PE8	8	15	18.5	23	4.3	9.5	8.8
PE10	10	18	21	26.5	4.3	11	13.8
PE12	12	21	23	30	4.3	13	21

Accessories—One-Touch Fittings

One-touch fittings—tube-tube type

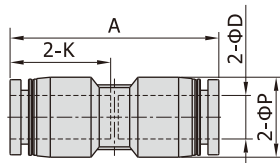
NPU Series



[Unit: inch]

Model\Item	ΦD	ΦP	K	A	Weight(g)
NPU5/32	5/32	0.35	0.53	1.08	1.7
NPU1/4	1/4	0.49	0.65	1.34	3.6
NPU5/16	5/16	0.59	0.73	1.52	5.0
NPU3/8	3/8	0.71	0.83	1.69	8.1
NPU1/2	1/2	0.83	0.91	1.85	12.0

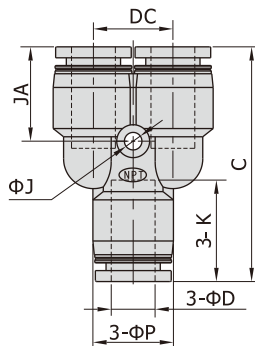
PU Series



[Unit: mm]

Model\Item	ΦD	ΦP	K	A	Weight(g)
PU4	4	9	14	29.5	1.7
PU6	6	12.5	16.5	34	3.6
PU8	8	15	18.5	38.5	5
PU10	10	18	21	43	8.1
PU12	12	21	23	47	12

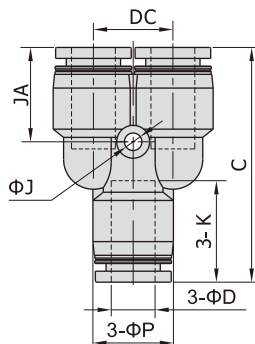
NPY Series



[Unit: inch]

Model\Item	ΦD	ΦP	C	K	ΦJ	JA	DC	Weight(g)
NPY5/32	5/32	0.35	1.16	0.53	0.13	0.47	0.39	3.0
NPY1/4	1/4	0.49	1.46	0.65	0.13	0.61	0.47	6.0
NPY5/16	5/16	0.59	1.67	0.73	0.13	0.67	0.57	8.6
NPY3/8	3/8	0.71	1.91	0.83	0.17	0.77	0.71	14.0
NPY1/2	1/2	0.83	2.15	0.91	0.17	0.83	0.81	21.2

PY Series



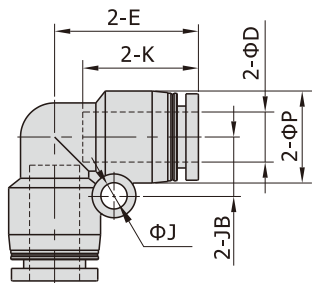
[Unit: mm]

Model\Item	ΦD	ΦP	C	K	ΦJ	JA	DC	Weight(g)
PY4	4	9	31.5	14	3.2	13	10	3
PY6	6	12.5	37	16.5	3.2	15.5	12	6
PY8	8	15	42.5	18.5	3.2	17	14.5	8.6
PY10	10	18	48.5	21	4.3	19.5	18	14
PY12	12	21	54.5	23	4.3	21	20.5	21.2

Accessories—One-Touch Fittings

One-touch fittings—tube-tube type

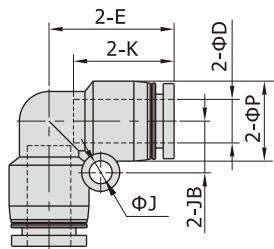
NPV Series



[Unit: inch]

Model\Item	φD	φP	K	E	φJ	JB	Weight(g)
NPV5/32	5/32	0.35	0.52	0.64	0.13	0.26	1.9
NPV1/4	1/4	0.49	0.65	0.79	0.13	0.31	4.2
NPV5/16	5/16	0.59	0.73	0.91	0.17	0.37	6.0
NPV3/8	3/8	0.71	0.83	1.04	0.17	0.43	9.3
NPV1/2	1/2	0.83	0.91	1.18	0.17	0.51	14.6

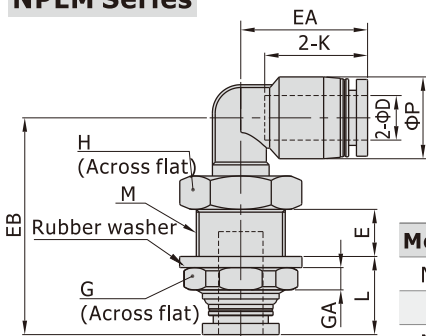
PV Series



[Unit: mm]

Model\Item	φD	φP	K	E	φJ	JB	Weight(g)
PV4	4	9	14	17	3.2	6.5	1.9
PV6	6	12.5	16.5	20	3.2	8	4.2
PV8	8	15	18.5	23	4.3	9.5	6
PV10	10	18	21	26.5	4.3	11	9.3
PV12	12	21	23	30	4.3	13	14.6

NPLM Series

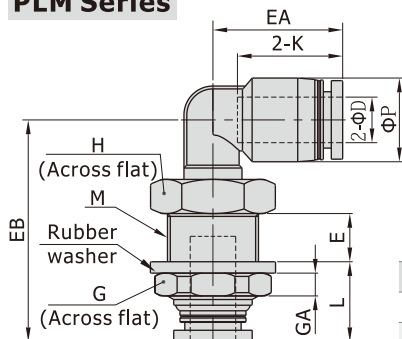


[Unit: inch]

Model\Item	φD	φP	M	L	E	K	EA	EB	GA	G	H	Weight(g)
NPLM5/32	5/32	0.35	1/2-20UNF	0.47	0.30	0.52	0.64	1.19	0.16	9/16	9/16	7.6
NPLM1/4	1/4	0.49	9/16-18UNF	0.49	0.33	0.67	0.79	1.40	0.16	11/16	11/16	12.3
NPLM5/16	5/16	0.59	5/8-18UNF	0.53	0.35	0.73	0.91	1.54	0.16	3/4	3/4	16.6
NPLM3/8	3/8	0.71	7/8-14UNF	0.57	0.43	0.83	1.00	1.75	0.20	1	1	29.0
NPLM1/2	1/2	0.83	7/8-14UNF	0.61	0.43	0.91	1.16	1.89	0.24	1	1	35.3



PLM Series



[Unit: mm]

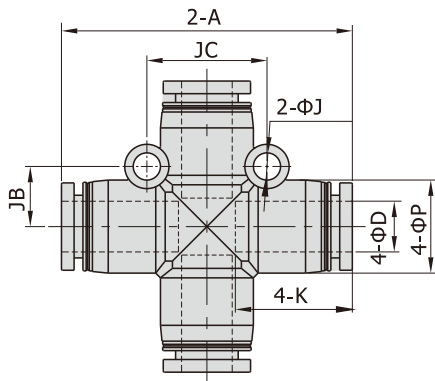
Model\Item	φD	φP	M	L	E	K	EA	EB	GA	G	H	Weight(g)
PLM4	4	9	M12X1	12	7.5	14	17	31	4	14	14	7.5
PLM6	6	12.5	M14X1	12.5	8.5	17	20	35.5	4	17	17	12.1
PLM8	8	15	M16X1	13.5	9	18.5	23	39	4	19	19	16.6
PLM10	10	18	M20X1	14.5	11	21	25.5	44.5	5	24	22	26.2
PLM12	12	21	M22X1	15.5	11	23	29.5	48	6	27	24	34



Accessories—One-Touch Fittings

One-touch fittings—tube-tube type

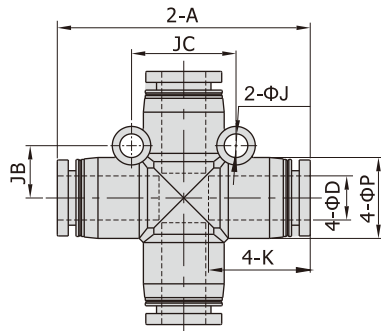
NPZ Series



[Unit: inch]

Model\Item	ΦD	A	ΦP	K	ΦJ	JB	JC	Weight(g)
NPZ5/32	5/32	1.28	0.35	0.52	0.13	0.26	0.51	3.9
NPZ1/4	1/4	1.56	0.49	0.65	0.13	0.31	0.63	7.9
NPZ5/16	5/16	1.81	0.59	0.73	0.17	0.37	0.75	11.1
NPZ3/8	3/8	2.07	0.71	0.83	0.17	0.43	0.87	17.5
NPZ1/2	1/2	2.34	0.83	0.91	0.17	0.51	1.02	26.6

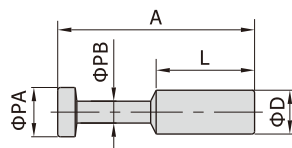
PZ Series



[Unit: mm]

Model\Item	ΦD	A	ΦP	K	ΦJ	JB	JC	Weight(g)
PZ4	4	34	9	14	3.2	6.5	13	3.9
Pz6	6	39.5	12.5	16.5	3.2	8	16	7.9
PZ8	8	46	15	18.5	4.3	9.5	19	11.1
PZ10	10	52.5	18	21	4.3	11	22	17.5
PZ12	12	59.5	21	23	4.3	13	26	26.6

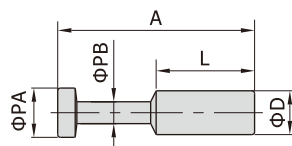
NPP Series



[Unit: inch]

Model\Item	ΦD	ΦPA	ΦPB	L	A	Weight(g)
NPP5/32	5/32	0.20	0.12	0.59	1.08	0.7
NPP1/4	1/4	0.28	0.12	0.67	1.26	0.9
NPP5/16	5/16	0.35	0.16	0.71	1.42	1.6
NPP3/8	3/8	0.35	0.16	0.79	1.50	2.5
NPP1/2	1/2	0.51	0.24	0.91	1.73	4.3

PP Series



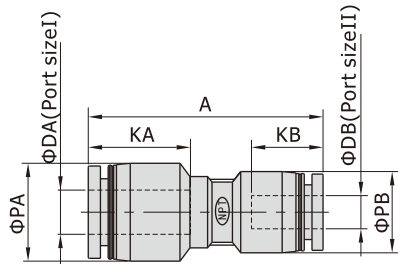
[Unit: mm]

Model\Item	ΦD	ΦPA	ΦPB	L	A	Weight(g)
PP4	4	5	3	15	27.5	0.7
Pp6	6	7	3	17	32	0.9
PP8	8	9	4	18	36	1.6
PP10	10	11	5	20	42	2.5
PP12	12	13	6	23	44	4.3

Accessories—One-Touch Fittings

One-touch fittings—tube-tube type

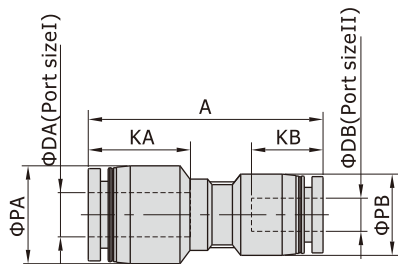
NPG Series



[Unit: inch]

Model\Item	ΦDA	ΦDB	ΦPA	ΦPB	KA	KB	A	Weight(g)
NPG1/4-5/32	1/4	5/32	0.49	0.35	0.65	0.53	1.30	2.7
NPG5/16-1/4	5/16	1/4	0.59	0.49	0.73	0.65	1.50	4.5
NPG3/8-1/4	3/8	1/4	0.71	0.59	0.83	0.65	1.65	6.9
NPG3/8-5/16	3/8	5/16	0.71	0.59	0.83	0.73	1.67	6.7
NPG1/2-5/16	1/2	5/16	0.83	0.71	0.91	0.73	1.83	10.3
NPG1/2-3/8	1/2	3/8	0.83	0.71	0.91	0.83	1.85	10.2

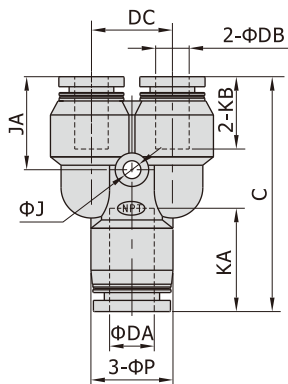
PG Series



[Unit: mm]

Model\Item	ΦDA	ΦDB	ΦPA	ΦPB	KA	KB	A	Weight(g)
PG6-4	6	4	12.5	9	16.5	14	33.5	2.7
PG8-4	8	4	15	12.5	18.5	14	37.5	4.5
PG8-6	8	6	15	12.5	18.5	16.5	38	4.5
PG10-6	10	6	18	15	21	16.5	42	6.9
PG10-8	10	8	18	15	21	18.5	42.5	6.7
PG12-8	12	8	21	18	23	18.5	46.5	10.3
PG12-10	12	10	21	18	23	21	47	10.2

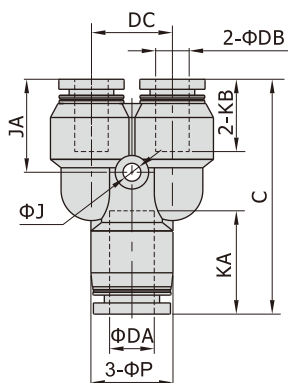
NPYW Series



[Unit: inch]

Model\Item	ΦDA	ΦDB	C	ΦP	KA	KB	ΦJ	JA	DC	Weight(g)
NPYW1/4-5/32	1/4	5/32	1.40	0.49	0.65	0.53	0.13	0.55	0.47	5.8
NPYW5/16-1/4	5/16	1/4	1.65	0.59	0.73	0.65	0.13	0.65	0.57	9.1
NPYW3/8-5/16	3/8	5/16	1.91	0.71	0.83	0.73	0.17	0.75	0.71	14.1
NPYW1/2-5/16	1/2	5/16	2.13	0.83	0.91	0.73	0.17	0.81	0.81	22.3
NPYW1/2-3/8	1/2	3/8	2.15	0.83	0.91	0.83	0.17	0.83	0.81	21.7

PYW Series



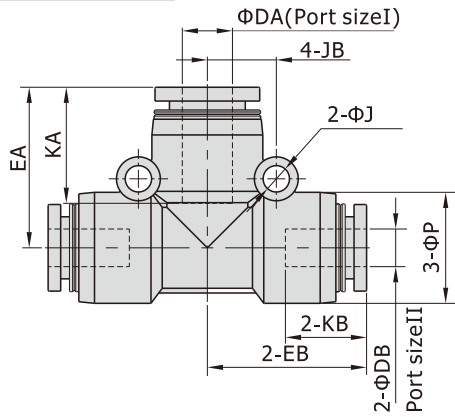
[Unit: mm]

Model\Item	ΦDA	ΦDB	C	ΦP	KA	KB	ΦJ	JA	DC	Weight(g)
PYW6-4	6	4	36.5	12.5	16.5	14	3.2	15	12	5.8
PYW8-6	8	6	42	15	18.5	16.5	3.2	16.5	14.5	9.1
PYW10-8	10	8	48.5	18	21	18.5	4.3	19	18	14.1
PYW12-8	12	8	54	21	23	18.5	4.3	20.5	20.5	22.3
PYW12-10	12	10	54.5	21	23	21	4.3	21	20.5	21.7

Accessories—One-Touch Fittings

One-touch fittings—tube-tube type

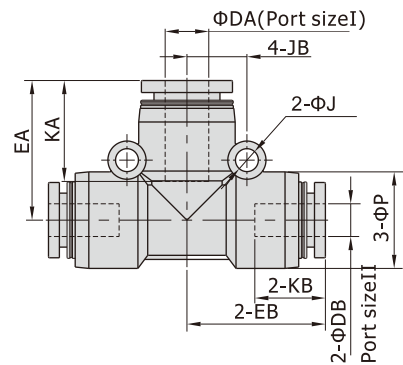
NPEW Series



[Unit: inch]

Model\Item	ΦDA	ΦDB	ΦP	KA	KB	EA	EB	ΦJ	JB	Weight(g)
NPEW1/4-5/32	1/4	5/32	0.49	0.65	0.52	0.79	0.74	0.13	0.31	7.0
NPEW5/16-1/4	5/16	1/4	0.59	0.73	0.65	0.89	0.87	0.17	0.37	22.8
NPEW3/8-5/16	3/8	5/16	0.71	0.83	0.73	1.00	1.00	0.17	0.43	15.1
NPEW1/2-5/16	1/2	5/16	0.83	0.91	0.73	1.14	1.12	0.17	0.51	22.0
NPEW1/2-3/8	1/2	3/8	0.83	0.91	0.83	1.14	1.14	0.17	0.51	21.5

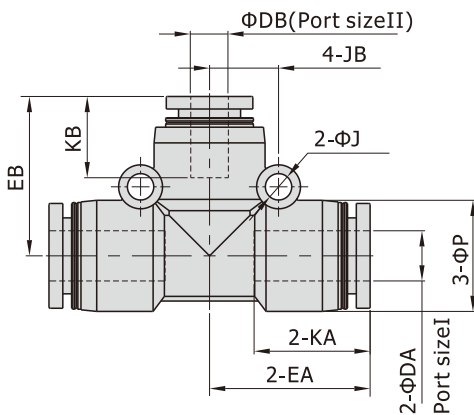
PEW Series



[Unit: mm]

Model\Item	ΦDA	ΦDB	ΦP	KA	KB	EA	EB	ΦJ	JB	Weight(g)
PEW6-4	6	4	12.5	16.5	14	20	19.5	3.2	8	7.0
PEW8-6	8	6	15	18.5	16.5	22.5	22	4.3	9.5	22.8
PEW10-8	10	8	18	21	18.5	25.5	25.5	4.3	11	15.1
PEW12-8	12	8	21	23	18.5	29	28.5	4.3	13	22.0
PEW12-10	12	10	21	23	21	29	29	4.3	13	21.5

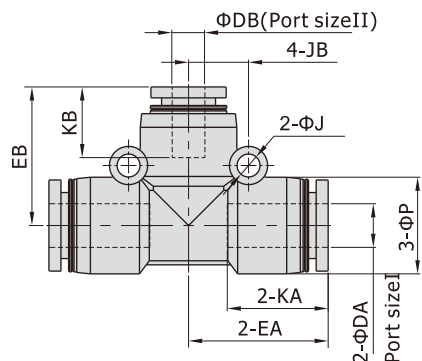
NPEG Series



[Unit: inch]

Model\Item	ΦDA	ΦDB	ΦP	KA	KB	EA	EB	ΦJ	JB	Weight(g)
NPEG1/4-5/32	1/4	5/32	0.49	0.65	0.52	0.79	0.74	0.13	0.31	7.0
NPEG5/16-1/4	5/16	1/4	0.59	0.73	0.65	0.89	0.87	0.17	0.37	22.8
NPEG3/8-5/16	3/8	5/16	0.71	0.83	0.73	1.00	1.00	0.17	0.43	15.1
NPEG1/2-5/16	1/2	5/16	0.83	0.91	0.73	1.14	1.12	0.17	0.51	22.0
NPEG1/2-3/8	1/2	3/8	0.83	0.91	0.83	1.14	1.14	0.17	0.51	21.5

PEG Series



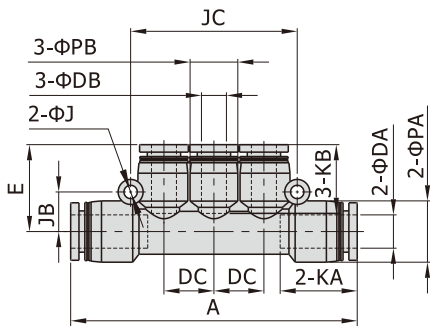
[Unit: mm]

Model\Item	ΦDA	ΦDB	ΦP	KA	KB	EA	EB	ΦJ	JB	Weight(g)
PEG6-4	6	4	12.5	16.5	14	20.0	19.5	3.2	8	7.0
PEG8-6	8	6	15	18.5	16.5	22.5	22	4.3	9.5	22.8
PEG10-8	10	8	18	21	18.5	25.5	25.5	4.3	11	15.1
PEG12-8	12	8	21	23	18.5	29	28.5	4.3	13	22.0
PEG12-10	12	10	21	23	21	29	29	4.3	13	21.5

Accessories—One-Touch Fittings

One-touch fittings—tube-tube type

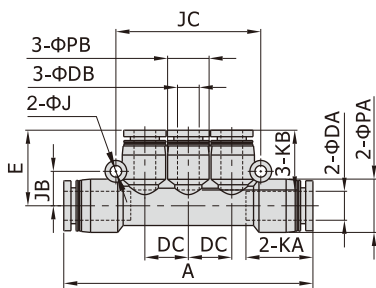
NPKG Series



[Unit: inch]

Model\Item	ΦDA	ΦDB	A	ΦPA	ΦPB	KA	KB	ΦJ	JB	JC	DC	E	Weight(g)
NPKG1/4-5/32	1/4	5/32	2.30	0.49	0.35	0.65	0.52	0.13	0.31	1.34	0.39	0.66	8.6
NPKG5/16-1/4	5/16	1/4	2.72	0.59	0.49	0.73	0.65	0.13	0.37	1.57	0.47	0.83	13.5
NPKG3/8-5/16	3/8	5/16	3.15	0.71	0.59	0.83	0.73	0.17	0.43	1.89	0.57	0.94	20.7

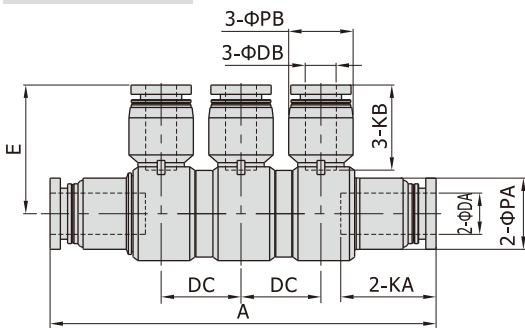
PKG Series



[Unit: mm]

Model\Item	ΦDA	ΦDB	A	ΦPA	ΦPB	KA	KB	ΦJ	JB	JC	DC	E	Weight(g)
PKG6-4	6	4	58.5	12.5	9	16.5	14	3.2	8	34	10	17.5	8.6
PKG8-6	8	6	69	15	12.5	18.5	16.5	3.2	9.5	40	12	21	13.5
PKG10-8	10	8	80	18	15	21	18.5	4.3	11	48	14.5	24	20.7

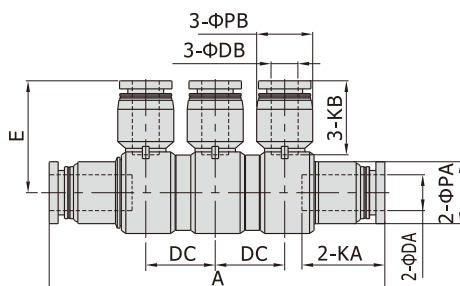
NPHK Series



[Unit: inch]

Model\Item	ΦDA	ΦDB	A	ΦPA	ΦPB	KA	KB	DC	E	Weight(g)
NPHK5/16-1/4	5/16	1/4	2.95	0.55	0.49	0.73	0.65	0.61	0.98	28.4
NPHK3/8-5/16	3/8	5/16	3.37	0.67	0.59	0.83	0.73	0.65	1.16	45.0

PHK Series



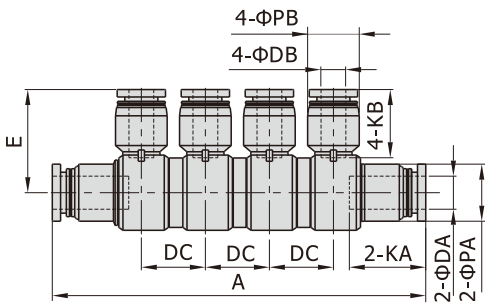
[Unit: mm]

Model\Item	ΦDA	ΦDB	A	ΦPA	ΦPB	KA	KB	DC	E	Weight(g)
PHK8-6	8	6	75	14	12.5	18.5	16.5	15.5	25	28.4
PHK10-8	10	8	85.5	17	15	21	18.5	16.5	29.5	45.0

Accessories—One-Touch Fittings

One-touch fittings—tube-tube type

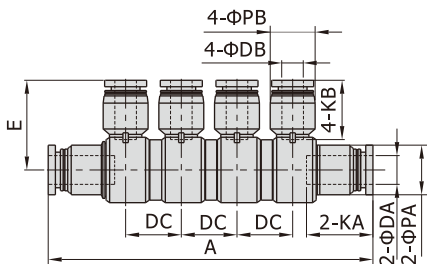
NPHD Series



[Unit: inch]

Model\Item	ΦDA	ΦDB	A	ΦPA	ΦPB	KA	KB	DC	E	Weight(g)
NPHD5/16-1/4	5/16	1/4	3.56	0.55	0.49	0.73	0.65	0.61	0.98	18.7
NPHD3/8-5/16	3/8	5/16	4.04	0.67	0.59	0.83	0.73	0.65	1.16	52.7

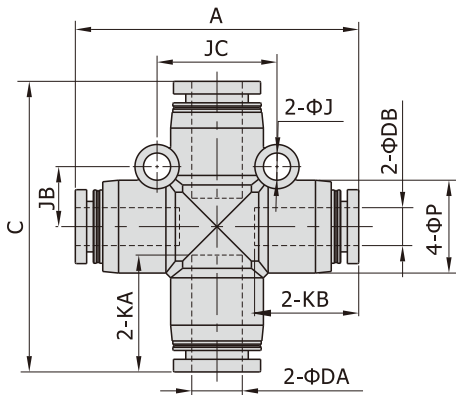
PHD Series



[Unit: mm]

Model\Item	ΦDA	ΦDB	A	ΦPA	ΦPB	KA	KB	DC	E	Weight(g)
PHD8-6	8	6	90.5	14	12.5	18.5	16.5	15.5	25	18.7
PHD10-8	10	8	102.5	17	15	21	18.5	16.5	29.5	52.7

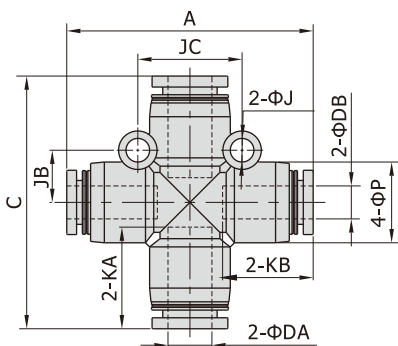
NPZG Series



[Unit: inch]

Model\Item	ΦDA	ΦDB	A	C	ΦP	KA	KB	ΦJ	JB	JC	Weight(g)
NPZG1/4-5/32	1/4	5/32	1.47	1.56	0.49	0.65	0.52	0.13	0.31	0.63	8.2
NPZG5/16-1/4	5/16	1/4	1.77	1.81	0.59	0.73	0.65	0.17	0.37	0.75	12.0
NPZG3/8-5/16	3/8	5/16	2.05	2.07	0.71	0.83	0.73	0.17	0.43	0.87	18.1
NPZG1/2-3/8	1/2	3/8	2.32	2.34	0.83	0.91	0.83	0.17	0.51	1.02	29.0

PZG Series



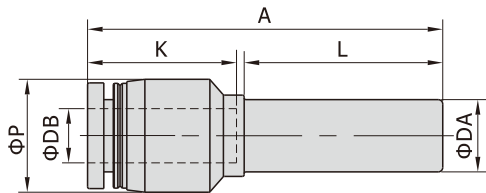
[Unit: mm]

Model\Item	ΦDA	ΦDB	A	C	ΦP	KA	KB	ΦJ	JB	JC	Weight(g)
PZG6-4	6	4	39	39.5	12.5	16.5	14	3.2	8	16	8.2
PZG8-6	8	6	45	46	15	18.5	16.5	4.3	9.5	19	12.0
PZG10-8	10	8	52	52.5	18	21	18.5	4.3	11	22	18.1
PZG12-10	12	10	59	59.5	21	23	21	4.3	13	26	29.0

Accessories—One-Touch Fittings

One-touch fittings—tube-tube type

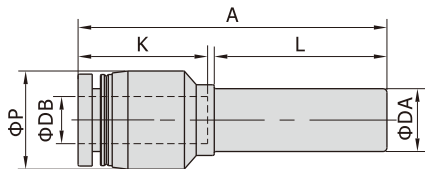
NPGJ Series



[Unit: inch]

Model\Item	ΦDA	ΦDB	ΦP	K	L	A	Weight(g)
NPGJ1/4-5/32	1/4	5/32	0.35	0.55	0.83	1.42	1.5
NPGJ5/16-1/4	5/16	1/4	0.49	0.65	0.87	1.56	3.2
NPGJ3/8-1/4	3/8	1/4	0.59	0.65	0.98	1.73	4.1
NPGJ3/8-5/16	3/8	5/16	0.59	0.73	0.98	1.75	3.9
NPGJ1/2-5/16	1/2	5/16	0.71	0.73	1.02	1.91	6.2
NPGJ1/2-3/8	1/2	3/8	0.71	0.83	1.02	1.93	6.0

PGJ Series

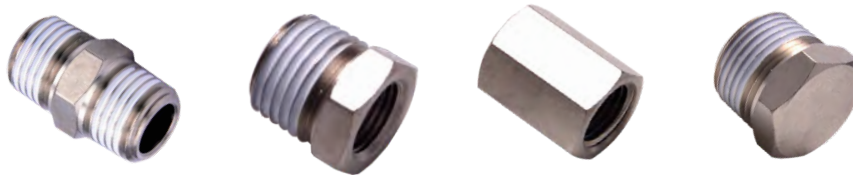


[Unit: mm]

Model\Item	ΦDA	ΦDB	ΦP	K	L	A	Weight(g)
PGJ6-4	6	4	9	14	21	35	1.5
PGJ8-4	8	4	12.5	14	22	39	2.6
PGJ8-6	8	6	12.5	16.5	22	39.5	3.2
PGJ10-6	10	6	15	16.5	25	44	4.1
PGJ10-8	10	8	15	18.5	25	44.5	3.9
PGJ12-8	12	8	18	18.5	26	48.5	6.2
PGJ12-10	12	10	18	21	26	49	6.0

Accessories—One-Touch Fittings

One-touch fittings—threaded type



Ordering code

NBB 1/8 - 1/8

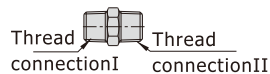
① ② ③

BB 01 01

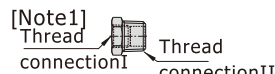
① ② ③

① Model

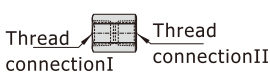
NBB: Male connector



NBD: Male & female connector



NBU: Double female connector



NBZ: Hexagon head cap plug



② Thread connection I

1/8: NPT1/8
1/4: NPT1/4
3/8: NPT3/8
1/2: NPT1/2

③ Thread connection II

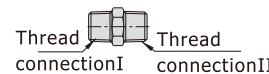
1/8: NPT1/8
1/4: NPT1/4
3/8: NPT3/8
1/2: NPT1/2

[Note1] For NBD series, Thread I is Female thread, Thread II is male thread;

[Note2] For NBZ series, no thread II and thread I is male thread.

① Model

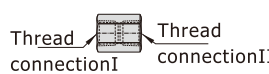
BB: Male connector



BD: Male & female connector



BU: Double female connector



BZ: Hexagon head cap plug



② Thread connection I

01: PT1/8
02: PT1/4
03: PT3/8
04: PT1/2

③ Thread connection II

01: PT1/8
02: PT1/4
03: PT3/8
04: PT1/2

Table for interface port and tube O.D.

Product series	Thread connection I	Thread connection II			
		NPT1/8	NPT1/4	NPT3/8	NPT1/2
NBB	NPT1/8	•	•	•	
	NPT1/4		•	•	•
	NPT3/8			•	•
	NPT1/2				•
NBU	NPT1/8	•			
	NPT1/4		•		
	NPT3/8			•	
	NPT1/2				•
NBD	NPT1/8		•	•	•
	NPT1/4		•	•	•
	NPT3/8			•	•
	NPT1/2				•

Product series	Thread connection			
	NPT1/8	NPT1/4	NPT3/8	NPT1/2
NBZ	•	•	•	•

Product series	Thread connection I	Thread connection II			
		PT1/8	PT1/4	PT3/8	PT1/2
BB	PT1/8	•	•	•	
	PT1/4		•	•	•
	PT3/8			•	•
	PT1/2				•
BD	PT1/8		•	•	•
	PT1/4			•	•
	PT3/8				•
	PT1/2				
BU	PT1/8	•			
	PT1/4		•		
	PT3/8			•	
	PT1/2				•

Product series	Thread connection			
	PT1/8	PT1/4	PT3/8	PT1/2
BZ	•	•	•	•

Specification

Operating pressure range	0~145psi(0~1.0MPa)
Negative pressure	10Torr(-750mmHg)
Proof pressure	215psi(1.5MPa)
Ambient and fluid temperature	32~302°F(0~150°C)

Product feature

1. Variable models can be widely used in every kind of pneumatic systems.
2. High circulation performance bear the same flow with the volume of the tube inner diameter.
3. The nickel plated body is anti-corrosion and anti-pollution, which allows a broader application.
4. Metal fittings can be used in high temperature environment.



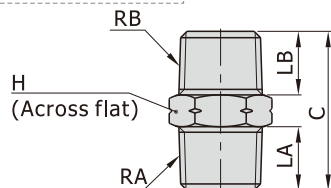
Accessories—One-Touch Fittings

One-touch fittings—threaded type

Dimensions

NBB Series

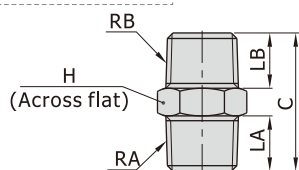
[Unit: inch]



Model\Item	RA	RB	LA	LB	C	H	Weight(g)
NBB1/8-1/8	NPT1/8	NPT1/8	0.30	0.30	0.77	7/16	7.3
NBB1/8-1/4	NPT1/4	NPT1/8	0.39	0.30	0.89	9/16	12.4
NBB1/8-3/8	NPT3/8	NPT1/8	0.43	0.30	0.94	11/16	18.9
NBB1/4-1/4	NPT1/4	NPT1/4	0.39	0.39	0.98	9/16	14.9
NBB1/4-3/8	NPT3/8	NPT1/4	0.43	0.39	1.04	11/16	20.9
NBB1/4-1/2	NPT1/2	NPT1/4	0.55	0.39	1.18	7/8	36.6
NBB3/8-3/8	NPT3/8	NPT3/8	0.43	0.43	1.08	11/16	23.8
NBB3/8-1/2	NPT1/2	NPT3/8	0.55	0.43	1.22	7/8	38.5
NBB1/2-1/2	NPT1/2	NPT1/2	0.55	0.55	1.34	7/8	45.1

BB Series

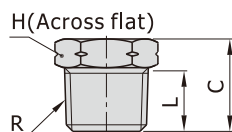
[Unit: mm]



Model\Item	RA	RB	LA	LB	C	H	Weight(g)
BB0101	PT1/8	PT1/8	7.5	7.5	19.5	10	6.6
Bb0102	PT1/4	PT1/8	10	7.5	22.5	14	12.1
BB0103	PT3/8	PT1/8	11	7.5	24	17	18.3
BB0202	PT1/4	PT1/4	10	10	25	14	14.6
BB0203	PT3/8	PT1/4	11	10	26.5	17	20.3
BB0204	PT1/2	PT1/4	14	10	30	21	34.3
BB0303	PT3/8	PT3/8	11	11	27.5	17	23.2
BB0304	PT1/2	PT3/8	14	11	31	21	36.2
BB0404	PT1/2	PT1/2	14	14	34	21	42.8

NBZ Series

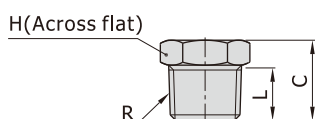
[Unit: inch]



Model\Item	R	L	C	H	Weight(g)
NBZ1/8	NPT1/8	0.30	0.43	7/16	5.1
NBZ1/4	NPT1/4	0.39	0.57	9/16	11.1
NBZ3/8	NPT3/8	0.43	0.63	11/16	18.0
NBZ1/2	NPT1/2	0.55	0.77	7/8	35.2

BZ Series

[Unit: mm]



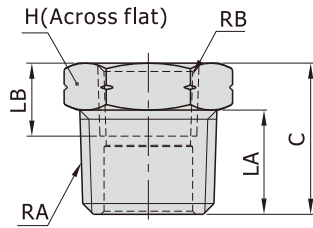
Model\Item	R	L	C	H	Weight(g)
BZ01	PT1/8	7.5	11	10	4.6
BZ02	PT1/4	10	14.5	14	10.8
BZ03	PT3/8	11	16	17	17.4
BZ04	PT1/2	14	19.5	21	33

Accessories—One-Touch Fittings

One-touch fittings—threaded type

NBD Series

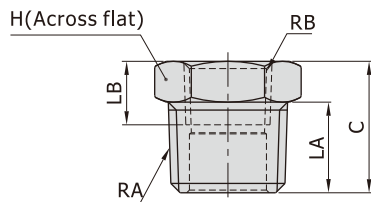
[Unit: inch]



Model\Item	RA	RB	LA	LB	C	H	Weight(g)
NBD1/8-1/4	NPT1/4	NPT1/8	0.39	0.31	0.57	9/16	9.1
NBD1/8-3/8	NPT3/8	NPT1/8	0.43	0.31	0.63	11/16	17.7
NBD1/8-1/2	NPT1/2	NPT1/8	0.55	0.31	0.77	7/8	35.3
NBD1/4-3/8	NPT3/8	NPT1/4	0.43	0.43	0.63	11/16	13.3
NBD1/4-1/2	NPT1/2	NPT1/4	0.55	0.43	0.77	7/8	32.1
NBD3/8-1/2	NPT1/2	NPT3/8	0.55	0.47	0.77	7/8	24.7

BD Series

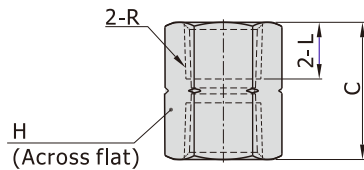
[Unit: mm]



Model\Item	RA	RB	LA	LB	C	H	Weight(g)
BD0102	PT1/4	PT1/8	10	8	14.5	14	8.8
Bd0103	PT3/8	PT1/8	11	8	16	17	17.1
BD0104	PT1/2	PT1/8	14	8	19.5	21	33.1
BD0203	PT3/8	PT1/4	11	11	16	17	12.7
BD0204	PT1/2	PT1/4	14	11	19.5	21	29.9
BD0304	PT1/2	PT3/8	14	12	19.5	21	22.5

NBU Series

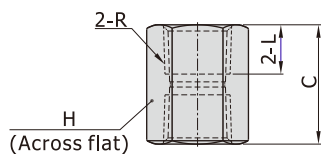
[Unit: inch]



Model\Item	R	L	C	H	Weight(g)
NBU1/8-1/8	NPT1/8	0.31	0.67	7/16	5.1
NBU1/4-1/4	NPT1/4	0.43	0.91	9/16	8.9
NBU3/8-3/8	NPT3/8	0.47	0.98	11/16	15.8
NBU1/2-1/2	NPT1/2	0.53	1.10	7/8	19.3

BU Series

[Unit: mm]



Model\Item	R	L	C	H	Weight(g)
BU0101	PT1/8	8	17	14	4.7
Bu0202	PT1/4	11	23	17	8.1
BU0303	PT3/8	12	25	21	12.7
BU0404	PT1/2	13.5	28	25	18.0

Accessories—One-Touch Fittings

One-touch fittings—threaded type



Ordering code

NBKC 1/4 - 5/32 - 1/8



① Model

NBKC: Straight locknut connector



② Tubing outer diameter

5/32: $\Phi 5/32$
 1/4: $\Phi 1/4$
 5/16: $\Phi 5/16$
 3/8: $\Phi 3/8$
 1/2: $\Phi 1/2$

③ Tubing inner diameter

3/32: $\Phi 3/32$
 5/32: $\Phi 5/32$
 1/5: $\Phi 1/5$
 1/4: $\Phi 1/4$
 1/3: $\Phi 1/3$

④ Thread connection

U10: #10-32UNF
 1/8: NPT1/8
 1/4: NPT1/4
 3/8: NPT3/8
 1/2: NPT1/2

BKC 06 04 - 01



① Model

BKC: Straight locknut connector



② Tubing outer diameter

04: $\Phi 4\text{mm}$
 06: $\Phi 6\text{mm}$
 08: $\Phi 8\text{mm}$
 10: $\Phi 10\text{mm}$
 12: $\Phi 12\text{mm}$

③ Tubing inner diameter

25: $\Phi 2.5\text{mm}$
 04: $\Phi 4\text{mm}$
 05: $\Phi 5\text{mm}$
 06: $\Phi 6\text{mm}$
 65: $\Phi 6.5\text{mm}$
 75: $\Phi 7.5\text{mm}$
 08: $\Phi 8\text{mm}$
 09: $\Phi 9\text{mm}$

④ Thread connection

M3: M3X0.5
 M5: M5X0.8
 01: PT1/8
 02: PT1/4
 03: PT3/8
 04: PT1/2

Note: When using the tubing $\Phi 8 \times \Phi 5.5$, the straight lock nut connector of BKC0806 can be used.

Table for interface port and tube O.D.

Product series	Tubing O.D.	Tubing I.D.	Thread connection				
			#10-32UNF	NPT1/8	NPT1/4	NPT3/8	NPT1/2
NBKC	5/32	5/32	•	•			
	1/4	5/32		•	•	•	
	5/16	1/5		•	•	•	
	3/8	1/4			•	•	•
	1/2	1/3			•	•	•

Product series	Tubing outer diameter	Tubing inner diameter	Thread connection					
			M3	M5	PT1/8	PT1/4	PT3/8	PT1/2
BKC	04	25	•	•	•			
	06	04			•	•	•	
	08	05			•	•	•	
		06			•	•	•	
	10	65				•	•	•
		75				•	•	•
	12	08				•	•	•
		09				•	•	•

Specification

Operating pressure range	0~145psi(0~1.0MPa)
Negative pressure	10Torr(-750mmHg)
Proof pressure	435psi(3.0MPa)
Ambient and fluid temperature	32~302°F(0~150°C)

Note: The temperature resistance level of the tubing should be confirmed first when used in high temperature environments.

Product feature

1. Variable models can be widely used in every kind of pneumatic systems.
2. High circulation performance bear the same flow with the volume of the tube inner diameter.
3. The nickel plated body is anti-corrosion and anti-pollution, which allows a broader application.
4. Metal fittings can be used in high temperature environments.

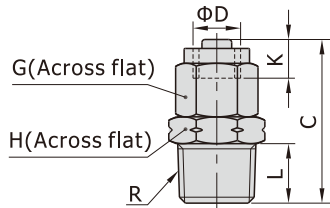
Accessories—One-Touch Fittings

One-touch fittings—threaded type

Dimensions

NBKC Series

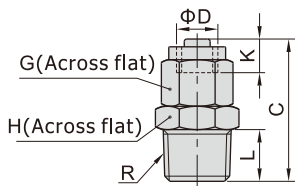
[Unit: inch]



Model\Item	Tube dim. ΦD		R	L	C	K	G	H	Weight (g)
	O.D.	I.D.							
NBKC5/32-3/32-U10	5/32	3/32	#10-32UNF	0.14	0.69	0.20	5/16	5/16	4.8
NBKC5/32-3/32-1/8			NPT1/8	0.30	0.81			7/16	8.2
NBKC1/4-5/32-1/8	1/4	5/32	NPT1/8	0.30	0.87	0.22	7/16	7/16	11.0
NBKC1/4-5/32-1/4			NPT1/4	0.39	1.00			9/16	16.3
NBKC1/4-5/32-3/8	5/16	1/5	NPT3/8	0.43	1.06	0.26	1/2	11/16	23.7
NBKC5/16-1/5-1/8			NPT1/8	0.30	0.94			1/2	13.7
NBKC5/16-1/5-1/4	5/16	1/5	NPT1/4	0.39	1.08	0.30	5/8	9/16	17.7
NBKC5/16-1/5-3/8			NPT3/8	0.43	1.14			11/16	24.9
NBKC3/8-1/4-1/4	3/8	1/4	NPT1/4	0.39	1.18	0.30	5/8	5/8	27.1
NBKC3/8-1/4-3/8			NPT3/8	0.43	1.24			11/16	30.3
NBKC3/8-1/4-1/2	1/2	1/3	NPT1/2	0.55	1.40	0.30	11/16	7/8	48.7
NBKC1/2-1/3-1/4			NPT1/4	0.39	1.18			11/16	31.6
NBKC1/2-1/3-3/8	1/2	1/3	NPT3/8	0.43	1.24	0.30	11/16	11/16	33.3
NBKC1/2-1/3-1/2			NPT1/2	0.55	1.40			7/8	51.4

BKC Series

[Unit: mm]



Model\Item	Tubing diameter ΦD		R	L	C	K	G	H	Weight(g)
	O.D.	I.D.							
BKC0425-M3	4	2.5	M3×0.5	3	17	5	8	8	4.4
BKC0425-M5			M5×0.8	3.5	17.5			8	4.8
BKC0425-01			PT1/8	7.5	20.5			10	7.1
BKC0604-01	6	4	PT1/8	7.5	22	5.5	10	10	9.9
BKC0604-02			PT1/4	10	25.5			14	15.8
BKC0604-03			PT3/8	11	27			17	22.5
BKC0805-01	8	5	PT1/8	7.5	24	6.5	12	12	12.8
BKC0805-02			PT1/4	10	27.5			14	17.2
BKC0805-03			PT3/8	11	29			17	23.7
BKC0806-01	8	5.5or6	PT1/8	7.5	24	6.5	12	12	13.1
BKC0806-02			PT1/4	10	27.5			14	17.2
BKC0806-03			PT3/8	11	29			17	23.6
BKC1065-02	10	6.5	PT1/4	10	30	7.5	15	15	25.3
BKC1065-03			PT3/8	11	31.5			17	29.1
BKC1065-04			PT1/2	14	35.5			21	44
BKC1075-02	10	7.5 or 8	PT1/4	10	30	7.5	15	15	24.1
BKC1075-03			PT3/8	11	31.5			17	28.9
BKC1075-04			PT1/2	14	35.5			21	43.6
BKC1208-02	12	8	PT1/4	10	30	7.5	17	17	30.5
BKC1208-03			PT3/8	11	31.5			17	32.1
BKC1208-04			PT1/2	14	35.5			21	46.7
BKC1209-02	12	9 or 10	PT1/4	10	30	7.5	17	17	30.6
BKC1209-03			PT3/8	11	31.5			17	31.9
BKC1209-04			PT1/2	14	35.5			21	46.4

Installation and application

1. Method of inserting or removal a tubing

1.1 Inserting a tubing

Place the locking cap over the tubing, and insert the tubing into the body, then tighten the locking cap. (As figure 1)

1.2 Removing a tubing

Loosen the locking cap first, then remove the tubing. (As figure 2)

2. Method of tightening the connector thread

Tighten the connector with a hex wrench, as shown right.

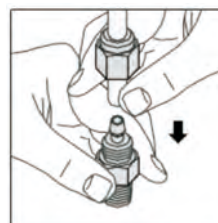


Figure 1

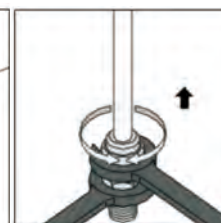


Figure 2

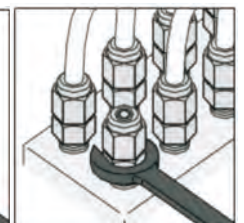


Figure 3